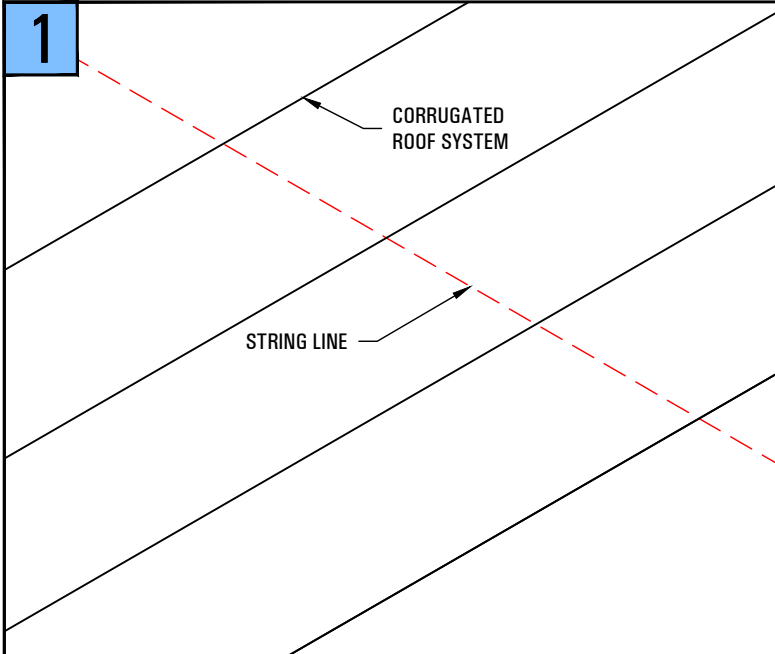
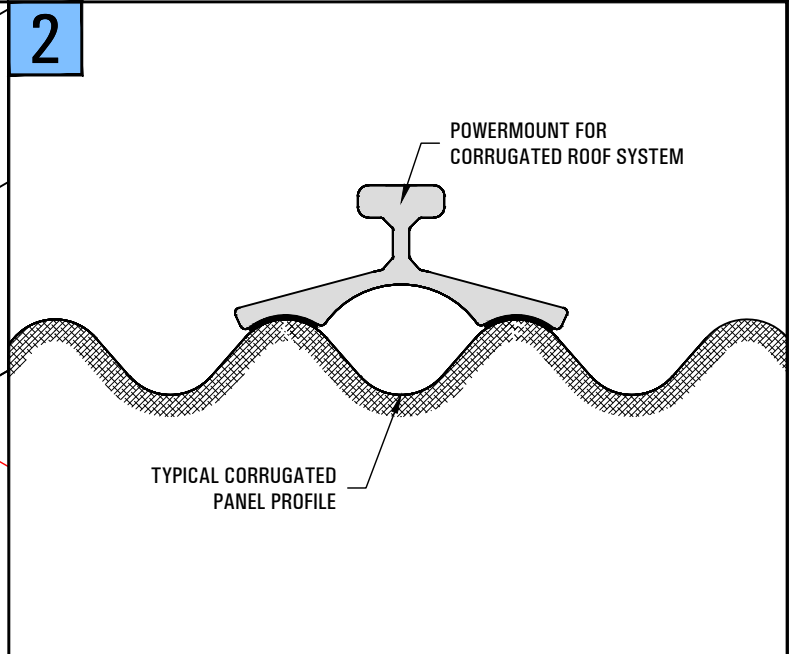


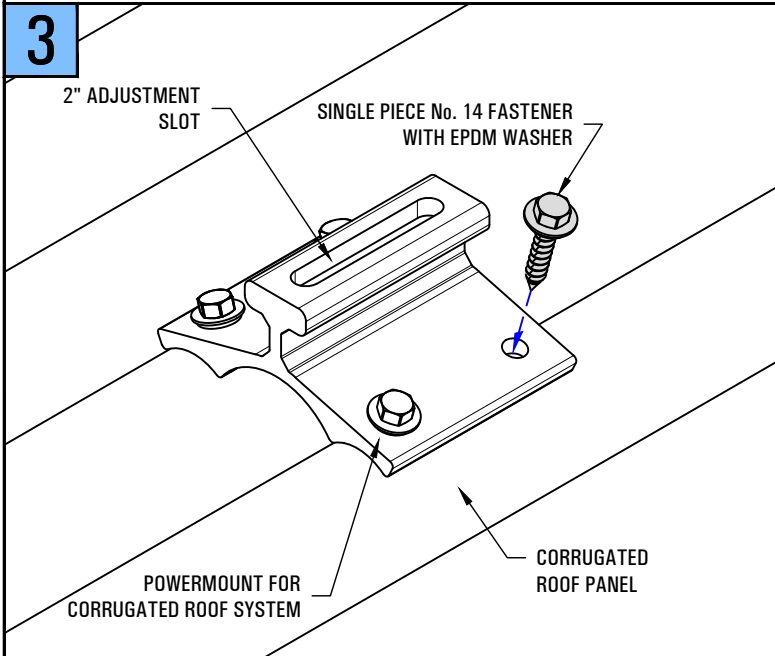
*** SOLAR KIT INSTALLATION INSTRUCTIONS ***



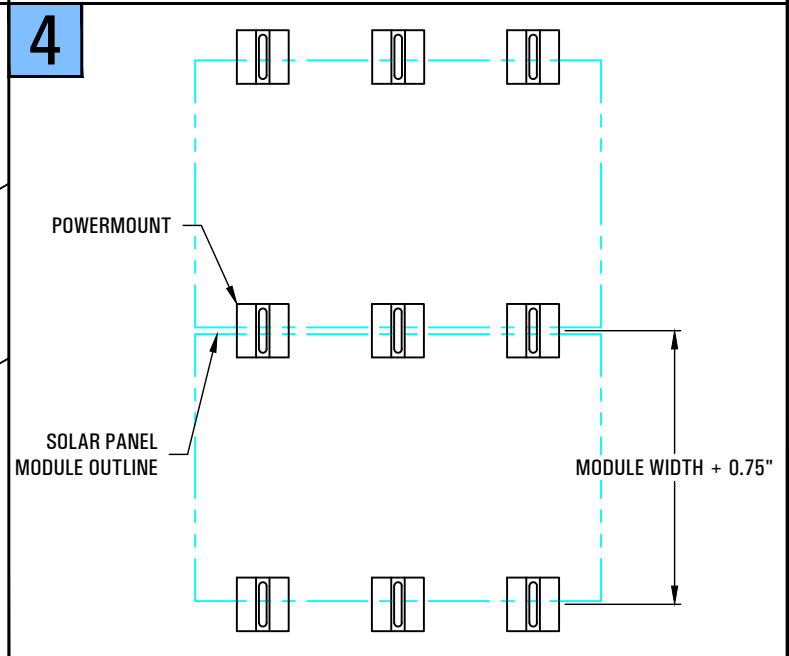
1 MEASURE THE DISTANCE FROM THE EAVE TO THE FIRST ROW AND USE A STRING LINE OVER THE TOP OF THE ROOF PANEL SEAMS TO ESTABLISH A STRAIGHT GUIDELINE FOR INSTALLATION.



2 USE A RAG TO WIPE AWAY ANY EXCESS DIRT AND OIL FROM THE SURFACE OF THE ROOF PANEL. THEN ALIGN THE POWERMOUNT TO THE STRING LINE AND PLACE ON THE ROOF PANEL SEAM AS SHOWN ABOVE.



3 SECURE THE POWERMOUNT TO THE ROOF PANEL BY SCREWING THE SELF-TAPPING STAINLESS STEEL FASTENERS INTO/THROUGH THE PRE-PUNCHED HOLES, INTO THROUGH THE EPDM GASKET, AND INTO/THROUGH THE ROOF PANEL. MAKE SURE TO NOT OVER-TIGHTEN AS YOU WILL RISK STRIPPING THE FASTENER. IF A FASTENER IS STRIPPED, REMOVE AND REPLACE WITH A SIMILAR FASTENER, BUT OF A LARGER DIAMETER TO ENSURE PROPER INSTALLATION.



4 VERIFY THAT THE POWERMOUNT IS SECURE, STRAIGHT AND LEVEL, THEN REPEAT STEPS 1-4 FOR THE REMAINING POWERMOUNTS IN THE MODULE ARRAY. MAKE SURE TO FOLLOW THE ARCHITECT'S AND/OR ENGINEER'S REQUIRED SPACING AND/OR LAYOUT, INCLUDING THEIR ADJUSTMENTS FOR FIELD CONDITIONS, IF ANY. (A RECOMMENDED LAYOUT IS FURNISHED BY SOLAR CONNECTIONS INTERNATIONAL, INC. ONLY UPON WRITTEN REQUEST)

POWERMOUNT INSTALLATION



4800 METALMASTER WAY - McHENRY, IL 60050

PHONE: 800.815.7652 WEBSITE: WWW.SOLARCONNECTIONS.COM
 FAX: 815.455.4367 E-MAIL: INFO@SOLARCONNECTIONS.COM

DISCLAIMER

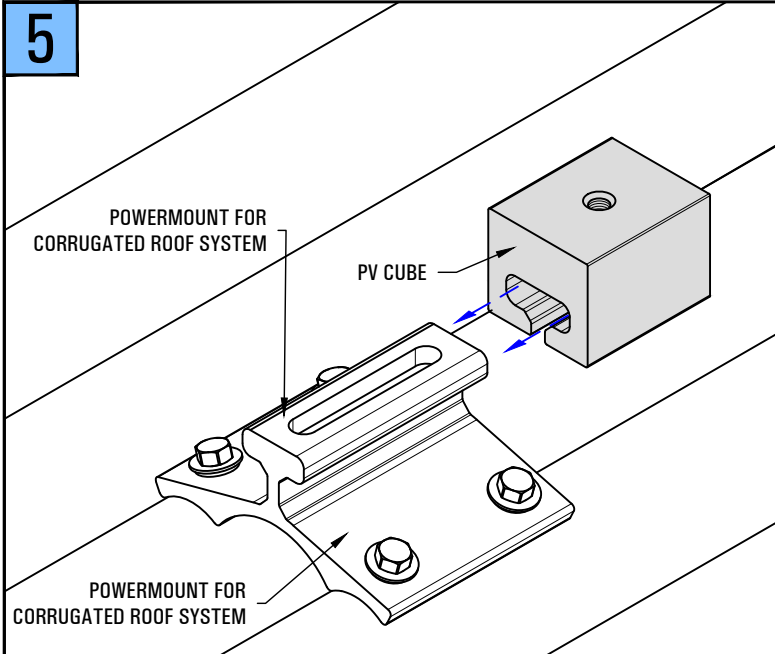
THE INFORMATION HEREIN IS CONFIDENTIAL AND PROPRIETARY AND IS NOT TO BE DISCLOSED OR DELIVERED TO THIRD PARTIES WITHOUT THE PRIOR WRITTEN CONSENT OF SOLAR CONNECTIONS INTERNATIONAL, INC.

SOLAR CONNECTIONS INTERNATIONAL, INC. DOES NOT WARRANT THE INSTALLATION OF ITS PRODUCTS. PRODUCT PERFORMANCE IS DEPENDENT ON THE INSTALLER'S STRICT ADHERENCE TO THESE INSTALLATION INSTRUCTIONS.

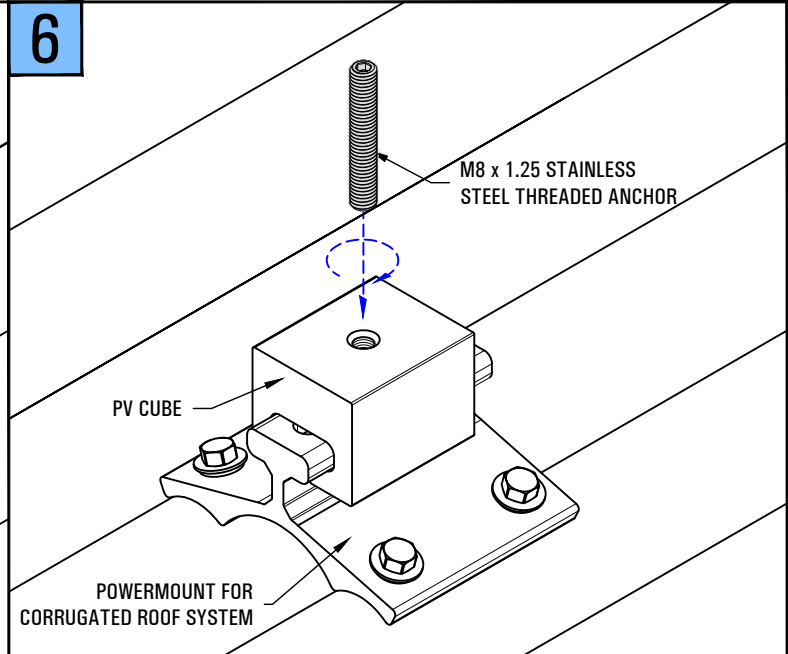
SOLAR CONNECTIONS INTERNATIONAL, INC. IS NOT A LICENSED ARCHITECT OR ENGINEER, THEREFORE WE STRONGLY RECOMMEND THAT AN ARCHITECT AND/OR STRUCTURAL ENGINEER PROPERLY LICENSED IN THE CITY AND STATE WHERE THE PROJECT IS LOCATED, REVIEW THE CONTEMPLATED LAYOUT TO ENSURE THAT THE BUILDING STRUCTURE CAN WITHSTAND THE PROJECTED SNOW AND/OR WIND LOAD. SOLAR CONNECTIONS INTERNATIONAL, INC. ASSUMES NO LIABILITY THEREFORE.

DRAWN BY:	RJH
DATE:	02/8/18
SCALE:	N.T.S.

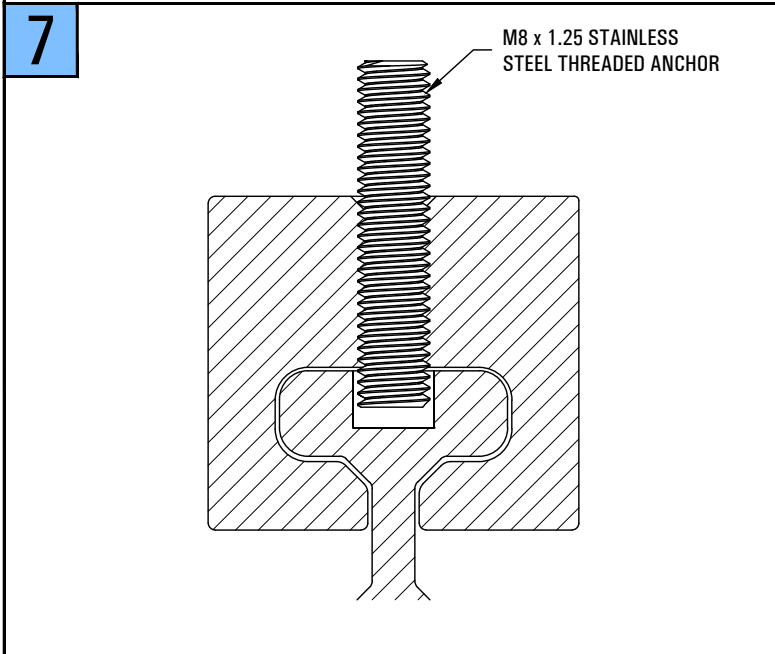
***** SOLAR KIT INSTALLATION INSTRUCTIONS *****



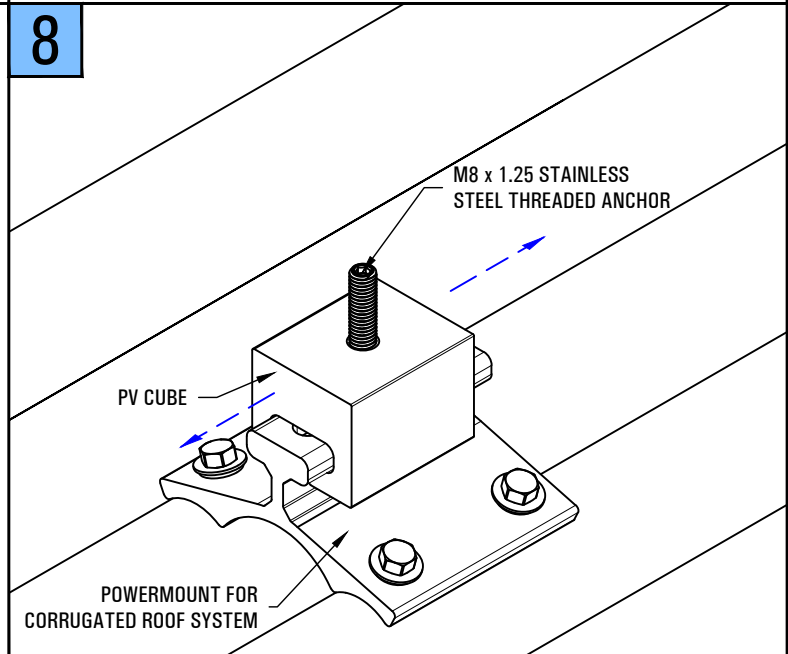
SLIDE THE PV CUBE ON THE POWERMOUNT UNTIL THE THREADED THRU-HOLE ALIGNS WITH THE 2" ADJUSTMENT SLOT.



THREAD THE M8 x 1.25 STAINLESS STEEL THREADED ANCHOR INTO THE PV CUBE.



MAKE SURE TO NOT COMPLETELY TIGHTEN SO THE PV CUBE IS FREE TO SLIDE.



IF THE STAINLESS STEEL THREADED ANCHOR IS CORRECTLY INSTALLED, THE PV CUBE WILL BE ABLE TO FREELY MOVE IN THE UP OR DOWN DIRECTION, WITHOUT COMING OFF THE POWERMOUNT.

PV CUBE INSTALLATION



4800 METALMASTER WAY - MCHENRY, IL 60050

PHONE: 800.815.7652 WEBSITE: WWW.SOLARCONNECTIONS.COM
 FAX: 815.455.4367 E-MAIL: INFO@SOLARCONNECTIONS.COM

DISCLAIMER

THE INFORMATION HEREIN IS CONFIDENTIAL AND PROPRIETARY AND IS NOT TO BE DISCLOSED OR DELIVERED TO THIRD PARTIES WITHOUT THE PRIOR WRITTEN CONSENT OF SOLAR CONNECTIONS INTERNATIONAL, INC.
 SOLAR CONNECTIONS INTERNATIONAL, INC. DOES NOT WARRANT THE INSTALLATION OF ITS PRODUCTS. PRODUCT PERFORMANCE IS DEPENDENT ON THE INSTALLERS STRICT ADHERENCE TO THESE INSTALLATION INSTRUCTIONS.
 SOLAR CONNECTIONS INTERNATIONAL, INC. IS NOT A LICENSED ARCHITECT OR ENGINEER, THEREFORE WE STRONGLY RECOMMEND THAT AN ARCHITECT AND/OR STRUCTURAL ENGINEER PROPERLY LICENSED IN THE CITY AND STATE WHERE THE PROJECT IS LOCATED, REVIEW THE CONTEMPLATED LAYOUT TO ENSURE THAT THE BUILDING STRUCTURE CAN WITHSTAND THE PROJECTED SNOW AND/OR WIND LOAD. SOLAR CONNECTIONS INTERNATIONAL, INC. ASSUMES NO LIABILITY THEREFORE.

DRAWN BY:	RJH
DATE:	02/8/18
SCALE:	N.T.S.