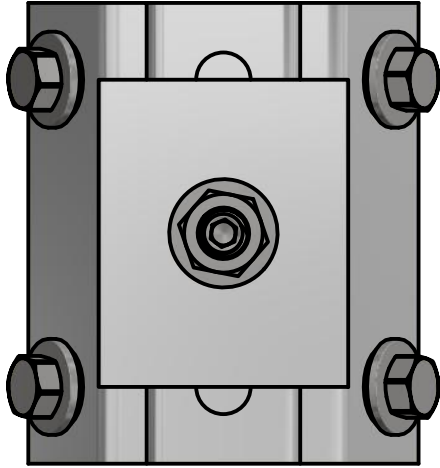


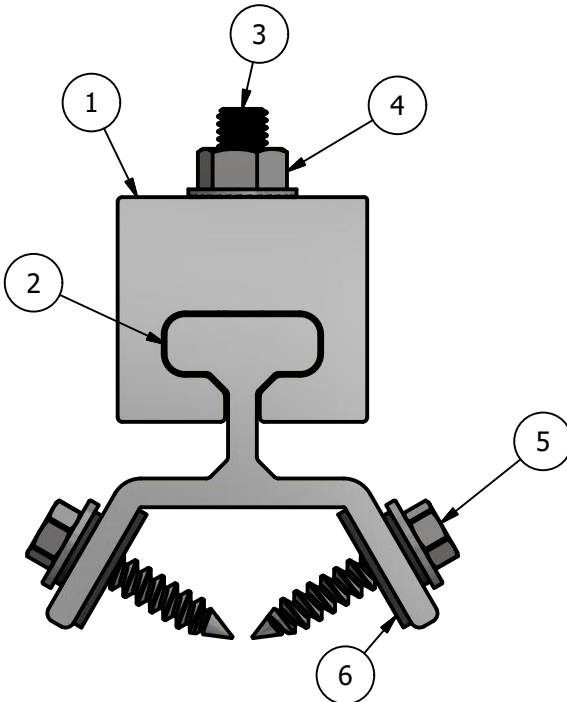
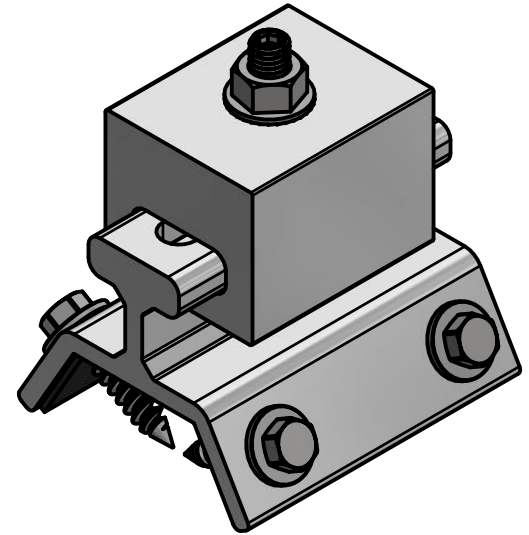
*** SCI PRODUCT CUT SHEET ***

PARTS LIST

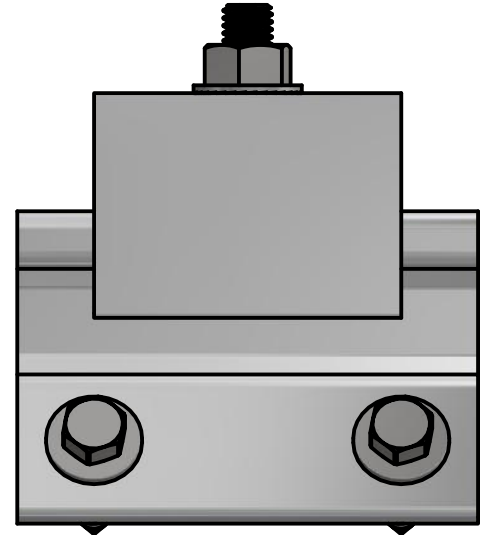
| ITEM | QTY | PART NUMBER |
|------|-----|-------------------------------------|
| 1 | 1 | PM PVCUBE |
| 2 | 1 | PM6000 |
| 3 | 1 | FASTENER M8 x 1.25 x 40MM ROD |
| 4 | 1 | 8mm x 1.25 SERRATED FLANGED HEX NUT |
| 5 | 4 | FASTENER 14x1-1/8 SS CAP W/ WASHER |
| 6 | 2 | EPDM GASKET-0.850 x 2.875 |



TOP VIEW



FRONT VIEW



RIGHT VIEW

NOTES:

1. FOR CLARITY THIS DRAWING IS NOT TO SCALE.
2. CONTACT THE MANUFACTURER FOR RECOMMENDED LAYOUTS, SPACING AND ADDITIONAL DETAILS.
3. INSTALLATION MUST BE COMPLETED WITH THE MANUFACTURERS WRITTEN SPECIFICATIONS AND INSTALLATION INSTRUCTIONS.
4. THESE DRAWINGS ARE SUBJECT TO CHANGE WITHOUT NOTICE.



SOLAR CONNECTIONS INTERNATIONAL

THE FUTURE OF SOLAR ATTACHMENTS

4800 METALMASTER WAY - MCHENRY, IL 60050

PHONE: 800.815.7652 WEBSITE: WWW.SOLARCONNECTIONS.COM
 FAX: 815.455.4367 E-MAIL: INFO@SOLARCONNECTIONS.COM

POWERMOUNT-6000 - ASSY

| | |
|-----------|------------|
| DRAWN BY: | rhoeffleur |
| DATE: | 4/22/2018 |
| SCALE: | N.T.S. |
| MATERIAL: | |

THE INFORMATION HEREIN IS CONFIDENTIAL AND PROPRIETARY AND IS NOT TO BE DISCLOSED OR DELIVERED TO THIRD PARTIES WITHOUT THE PRIOR WRITTEN CONSENT OF SOLAR CONNECTIONS INTERNATIONAL, INC.