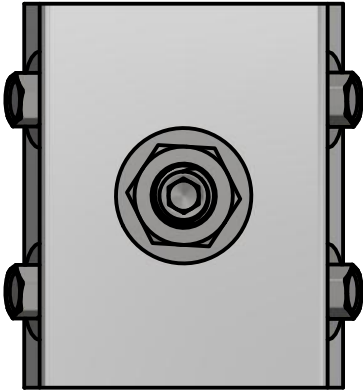


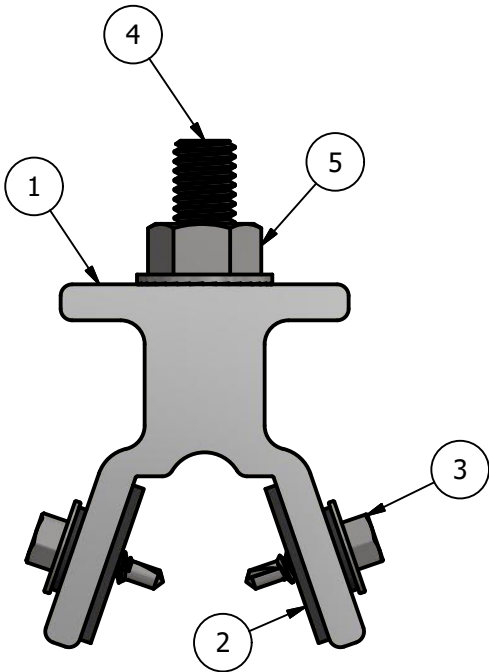
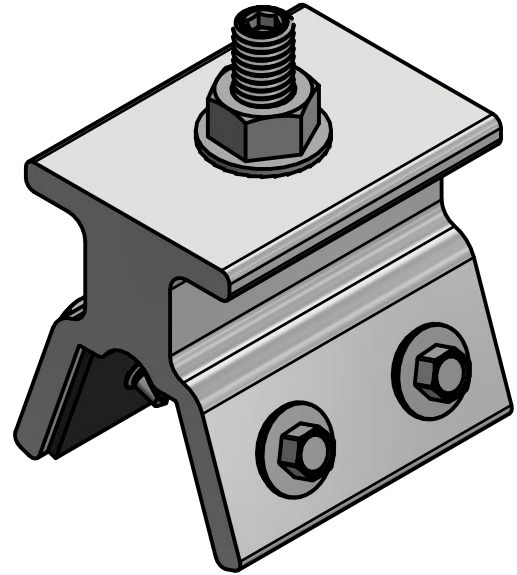
# \*\*\* SCI PRODUCT CUT SHEET \*\*\*

## PARTS LIST

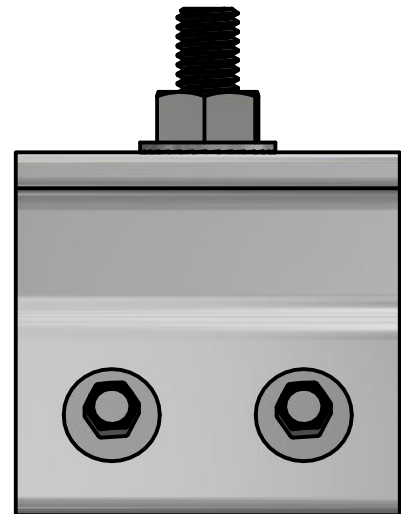
ITEM	QTY	PART NUMBER
1	1	POWERMOUNT-KR - SINGLE PIECE
2	2	EPDM GASKET-0.850 x 1.875
3	4	No. 12 1-0.5 WITH EPDM WASHER
4	1	FASTENER M8 x 1.25 x 35MM ROD
5	1	8mm x 1.25 SERRATED FLANGED HEX NUT



**TOP VIEW**



**FRONT VIEW**



**RIGHT VIEW**

**NOTES:**

- FOR CLARITY THIS DRAWING IS NOT TO SCALE.
- CONTACT THE MANUFACTURER FOR RECOMMENDED LAYOUTS, SPACING AND ADDITIONAL DETAILS.
- INSTALLATION MUST BE COMPLETED WITH THE MANUFACTURERS WRITTEN SPECIFICATIONS AND INSTALLATION INSTRUCTIONS.
- THESE DRAWINGS ARE SUBJECT TO CHANGE WITHOUT NOTICE.



**SOLAR CONNECTIONS INTERNATIONAL**

**THE FUTURE OF SOLAR ATTACHMENTS**

**4800 METALMASTER WAY - MCHENRY, IL 60050**

PHONE: 800.815.7652 WEBSITE: WWW.SOLARCONNECTIONS.COM  
 FAX: 815.455.4367 E-MAIL: INFO@SOLARCONNECTIONS.COM

## POWERMOUNT-KRS - ASSY

DRAWN BY:	rhoeffleur
DATE:	4/22/2018
SCALE:	N.T.S.
MATERIAL:	

THE INFORMATION HEREIN IS CONFIDENTIAL AND PROPRIETARY AND IS NOT TO BE DISCLOSED OR DELIVERED TO THIRD PARTIES WITHOUT THE PRIOR WRITTEN CONSENT OF SOLAR CONNECTIONS INTERNATIONAL, INC.