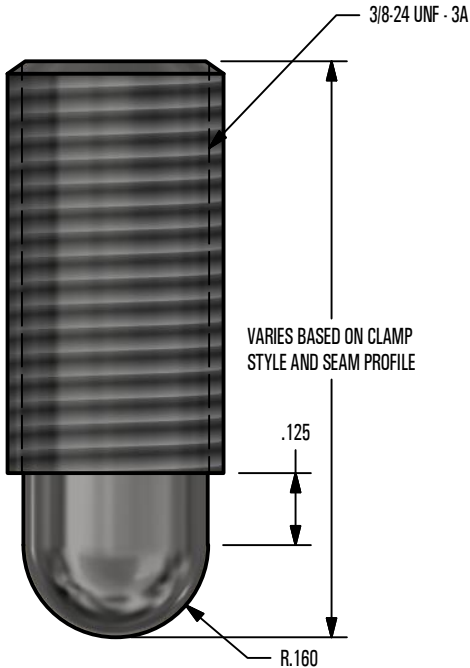


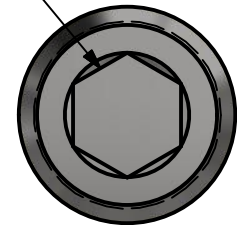
**\*\*\* SCI PRODUCT CUT SHEET \*\*\***

**TOP VIEW**



STANDARD 3/16" HEX DRIVE

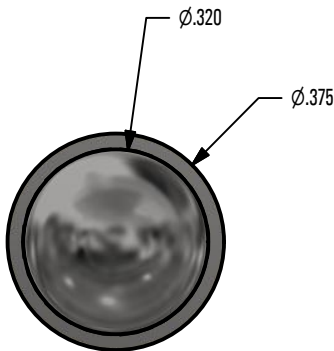


**BACK VIEW**

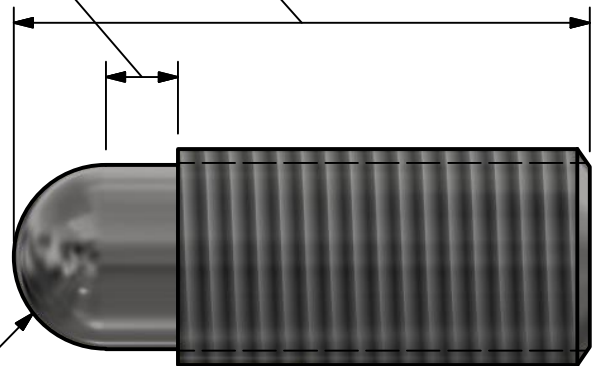
CUSTOM LENGTHS BASED ON THE SEAM PROFILE AND CLAMP STYLE ENSURING THE RIGHT SET SCREW IS USED EVERY TIME

.125 SETBACK KEEPS THE THREADS FROM EVER ENGAGING THE PANEL AND DAMAGING THE METAL ROOF PANEL

STANDARD 0.1875 RADIUS ELIMINATES ANY MARRING, RIPPING OR TEARING OF THE METAL PANEL SEAM



**FRONT VIEW**



**RIGHT VIEW**

**NOTES:**

1. FOR CLARITY THIS DRAWING IS NOT TO SCALE.
2. CONTACT THE MANUFACTURER FOR RECOMMENDED LAYOUTS, SPACING AND ADDITIONAL DETAILS.
3. INSTALLATION MUST BE COMPLETED WITH THE MANUFACTURERS WRITTEN SPECIFICATIONS AND INSTALLATION INSTRUCTIONS.
4. THESE DRAWINGS ARE SUBJECT TO CHANGE WITHOUT NOTICE.



**SOLAR CONNECTIONS INTERNATIONAL**

**THE FUTURE OF SOLAR ATTACHMENTS**

**4800 METALMASTER WAY - MCHENRY, IL 60050**

PHONE: 800.815.7652 WEBSITE: WWW.SOLARCONNECTIONS.COM  
 FAX: 815.455.4367 E-MAIL: INFO@SOLARCONNECTIONS.COM

**SILVER BULLET - SOLAR**

DRAWN BY:	rhoeffleur
DATE:	1/27/2018
SCALE:	N.T.S.
MATERIAL:	Stainless Steel

THE INFORMATION HEREIN IS CONFIDENTIAL AND PROPRIETARY AND IS NOT TO BE DISCLOSED OR DELIVERED TO THIRD PARTIES WITHOUT THE PRIOR WRITTEN CONSENT OF SOLAR CONNECTIONS INTERNATIONAL, INC.