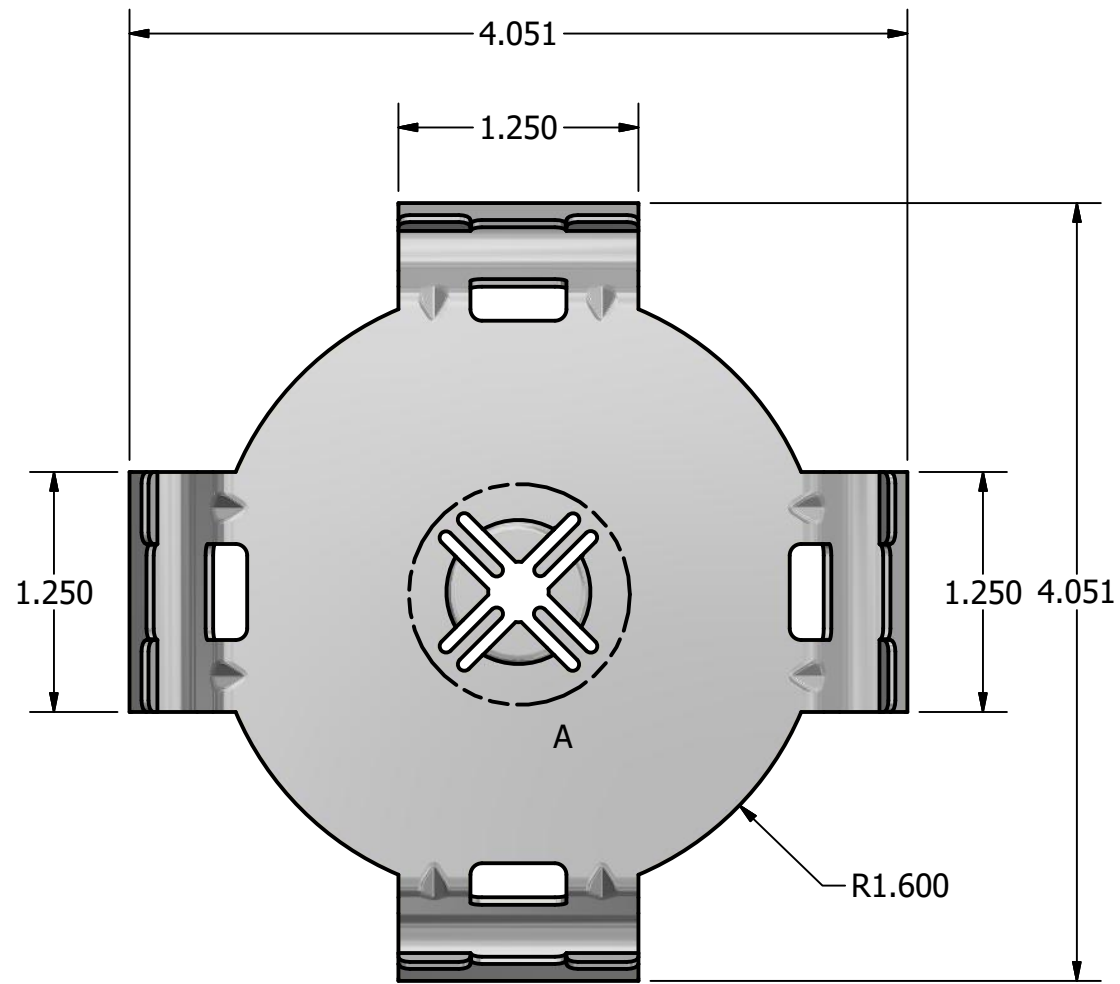
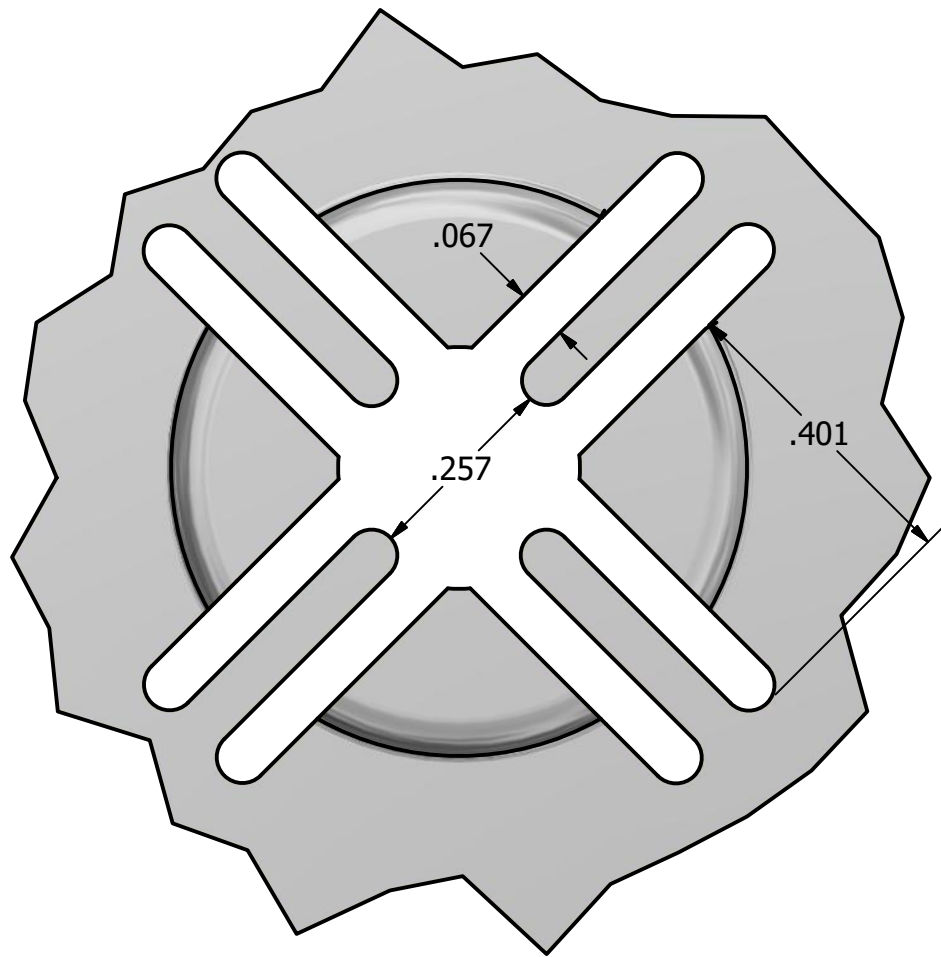


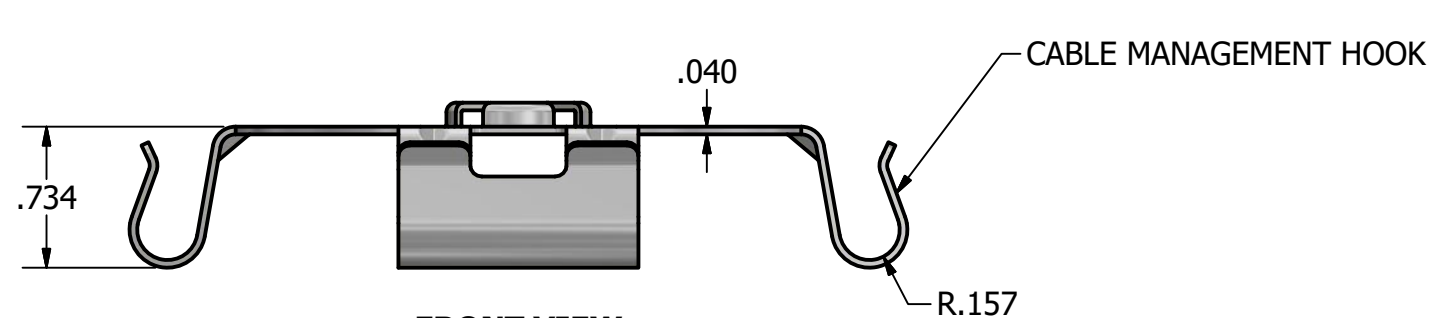
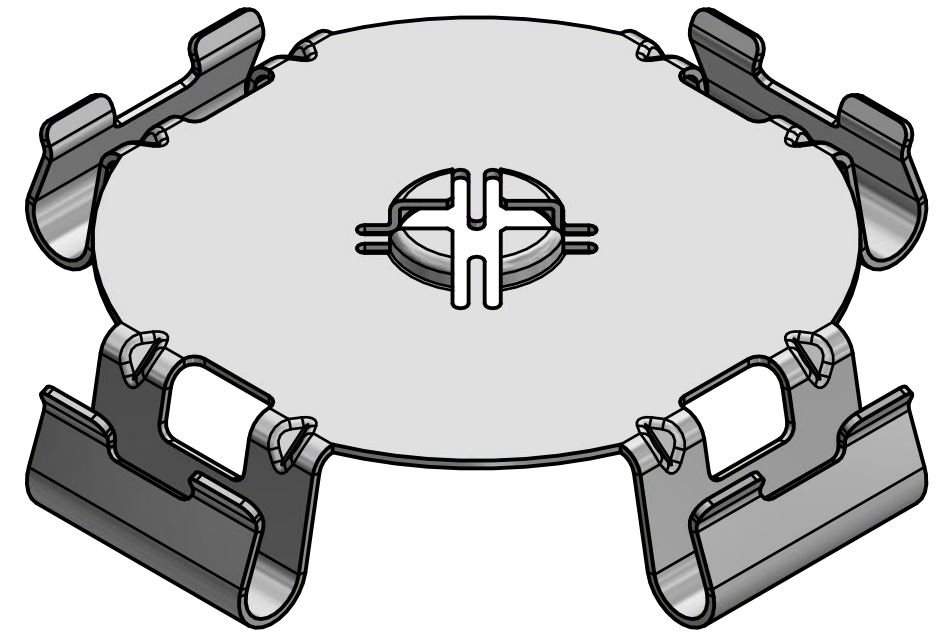
REVISIONS	
1	APPROVED FOR PRODUCTION 10/29/16



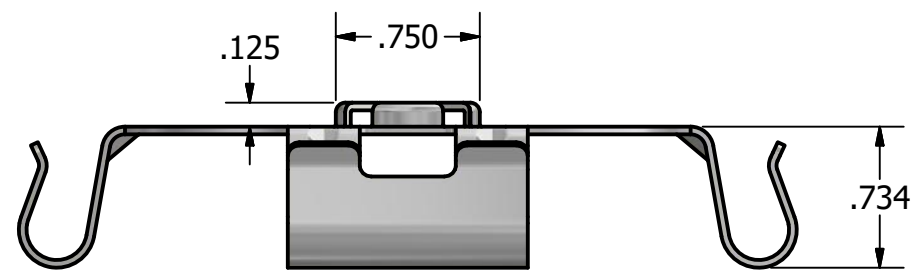
TOP VIEW
SCALE: 1 : 1



DETAIL A
SCALE: 4 : 1



FRONT VIEW
SCALE: 1 : 1



RIGHT VIEW
SCALE: 1 : 1



CONTACT INFORMATION

4800 METALMASTER WAY
McHENRY, IL 60050
PHONE: 1-800-815-7652
FAX: 1-815-455-4367
EMAIL: INFO@SOLARCONNECTIONS.COM

PART NUMBER:

CABLE MANAGEMENT DISC

DISCLAIMER

THE INFORMATION CONTAINED HEREIN IS CONFIDENTIAL AND PROPRIETARY AND IS NOT TO BE DISCLOSED OR DELIVERED TO THIRD PARTIES WITHOUT THE PRIOR WRITTEN CONSENT OF SOLAR CONNECTIONS INTERNATIONAL, INC.

DRAWN BY:
rhoneffleur

10/28/2016

CHECKED BY:

ENG. APPROVAL:

MATERIAL:
Aluminum 5052-H34

PROJECT:

SOLAR KIT

TITLE:

CUT SHEET / DETAILS

DESIGN STATE:
Pending