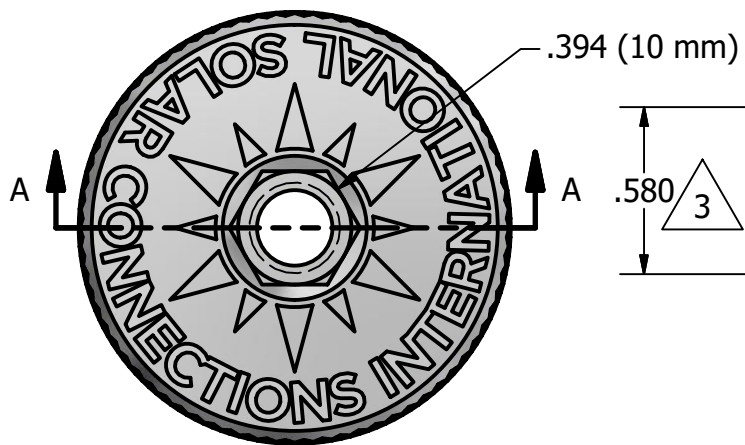
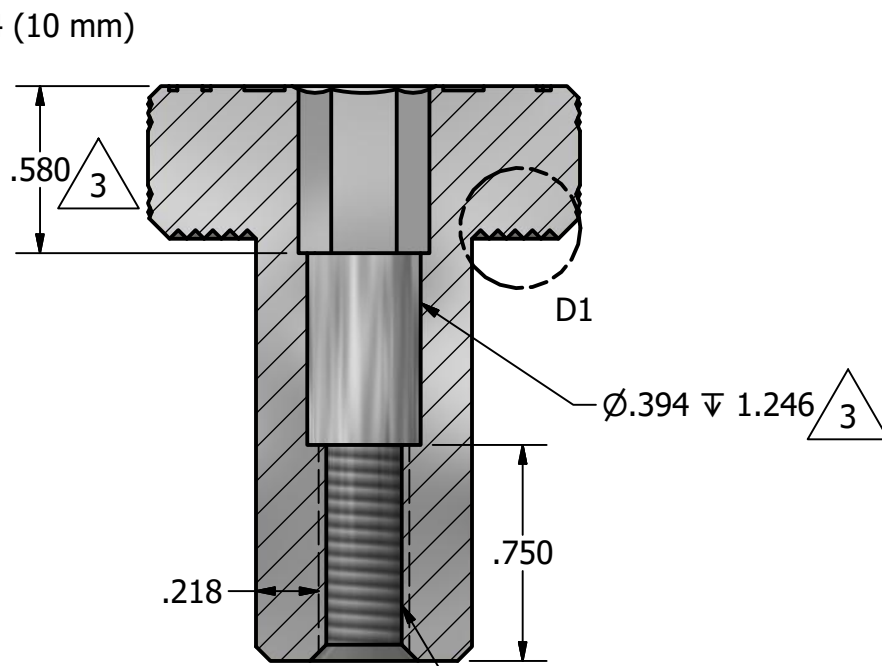


**REVISIONS**

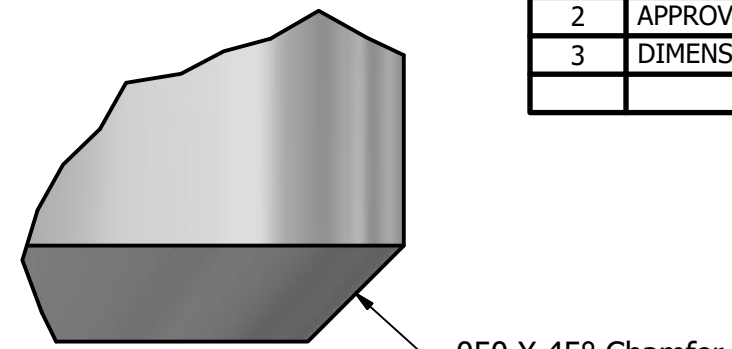
1	NEW SIZE ADDED 08/29/16
2	APPROVED FOR PRODUCTION 10/29/16
3	DIMENSION CLARIFICATION 09/26/17



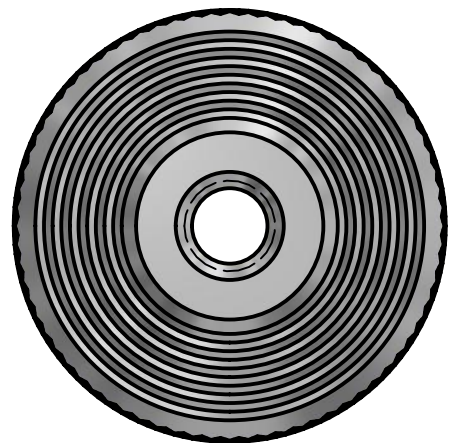
**TOP VIEW**  
SCALE 1.5 : 1



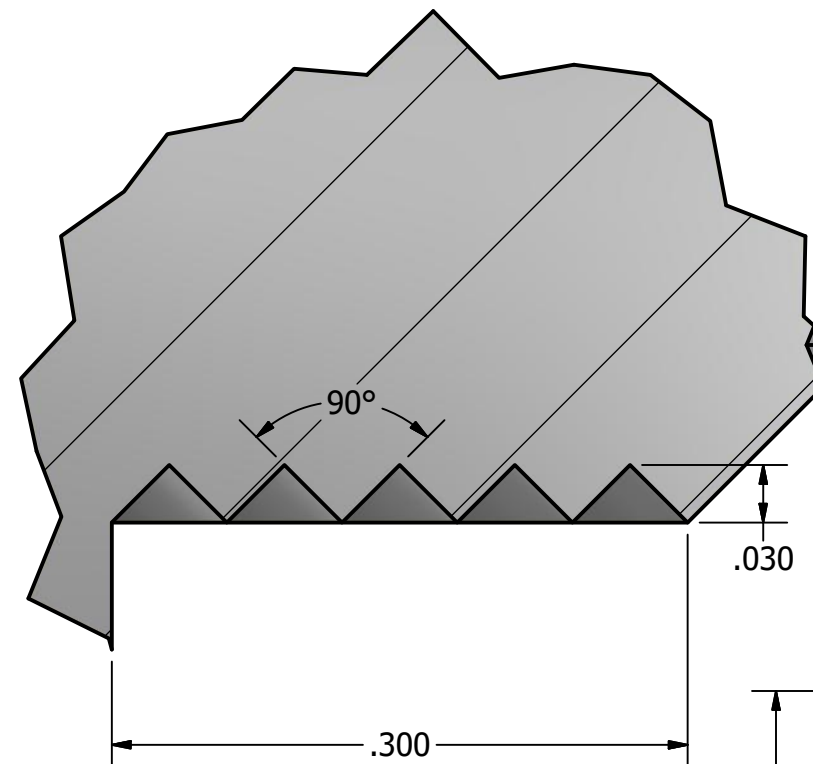
**SECTION A-A**  
SCALE 1.5 : 1



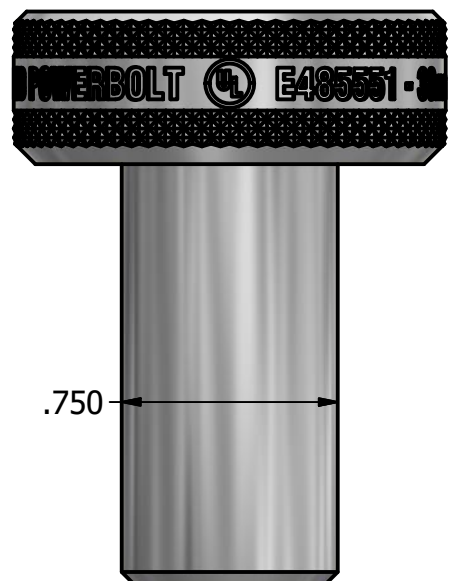
**DETAIL D2**  
SCALE 10 : 1



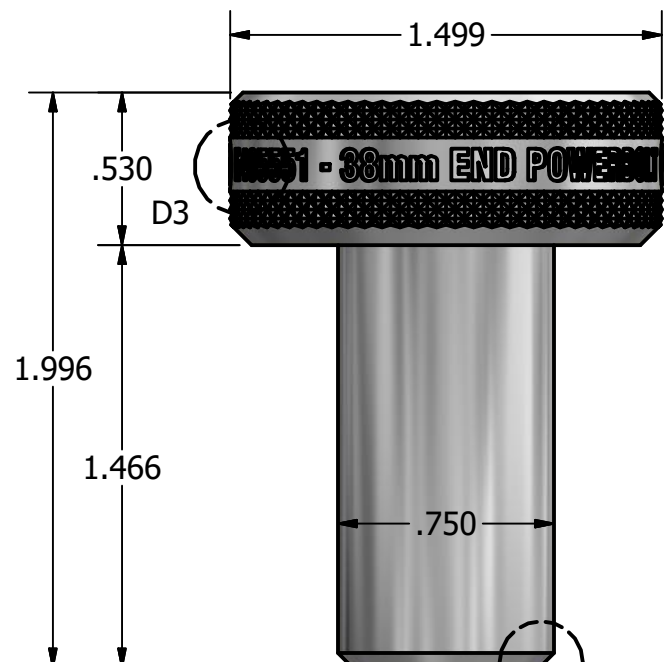
**BOTTOM VIEW**  
SCALE 1.5 : 1



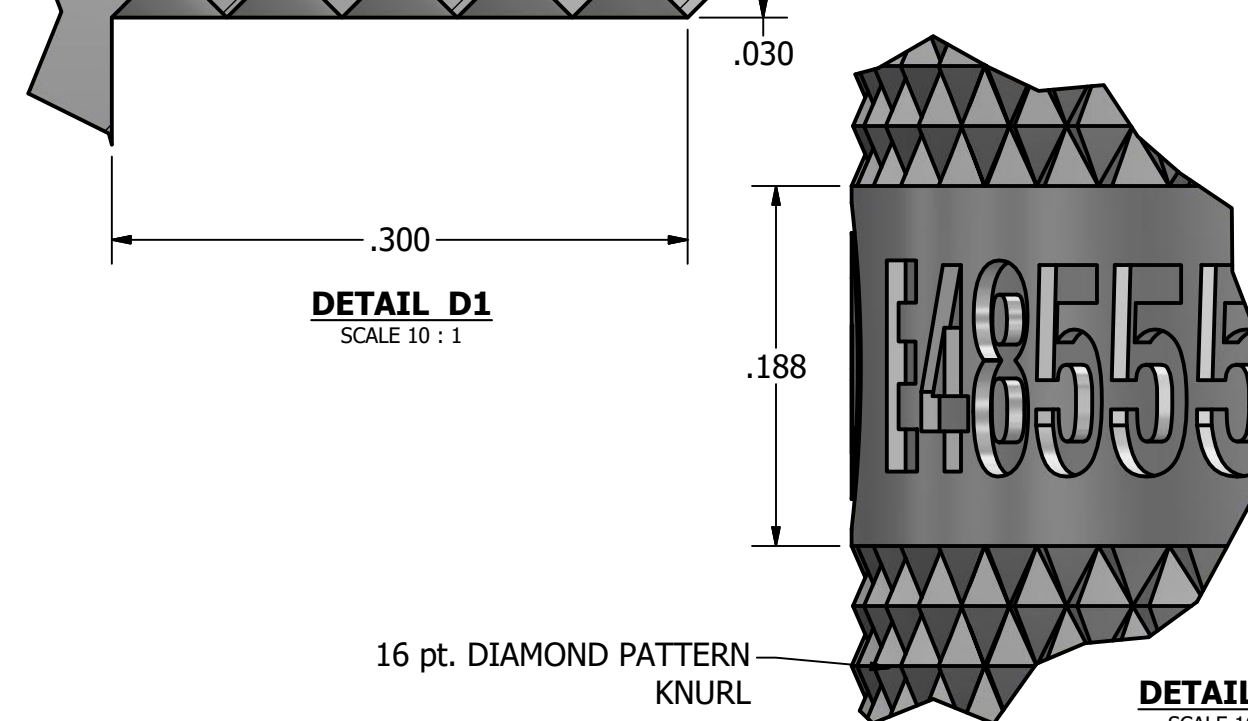
**DETAIL D1**  
SCALE 10 : 1



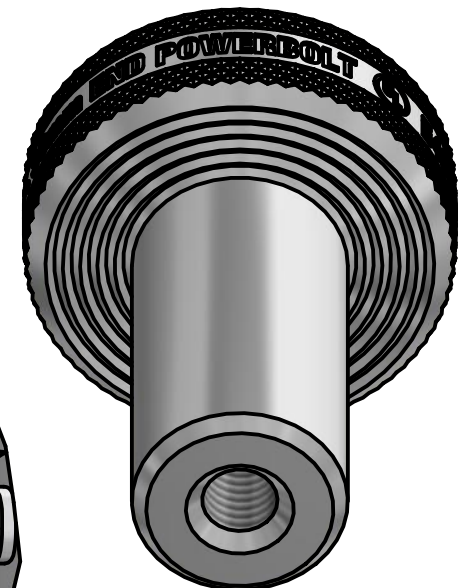
**FRONT VIEW**  
SCALE: 1.5 : 1



**RIGHT VIEW**  
SCALE 1.5 : 1



**DETAIL D3**  
SCALE 10 : 1



16 pt. DIAMOND PATTERN  
KNURL



**CONTACT INFORMATION**

4800 METALMASTER WAY  
McHENRY, IL 60050  
PHONE: 1-855-843-4828  
FAX: 1-815-385-8738  
EMAIL: INFO@LIMITLESSINNOVATIONS.COM

PART NUMBER:

**38MM END POWERBOLT - UL**

DRAWN BY:  
rhoeffleur

9/26/2017

PROJECT:

**SOLAR KIT POWER BOLT**

CHECKED BY:

TITLE:

**CUT SHEET / DETAILS**

**DISCLAIMER**

THE INFORMATION CONTAINED HEREIN IS CONFIDENTIAL AND PROPRIETARY AND IS NOT TO BE DISCLOSED OR DELIVERED TO THIRD PARTIES WITHOUT THE PRIOR WRITTEN CONSENT OF LIMITLESS INNOVATIONS, INC.

MATERIAL:  
Aluminum 6061

DESIGN STATE:  
Pending