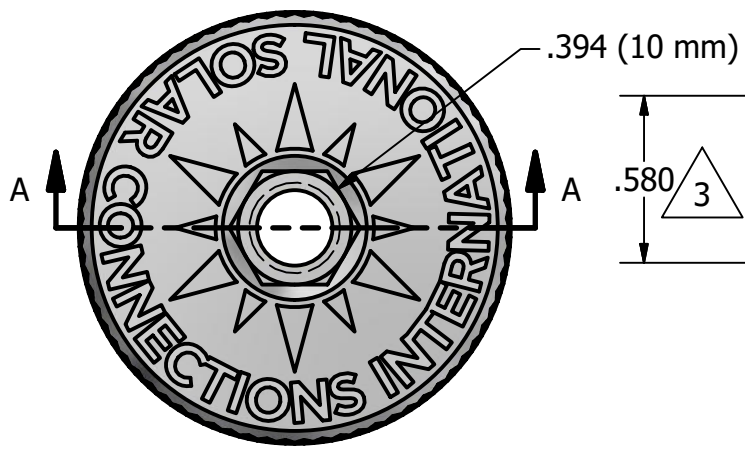
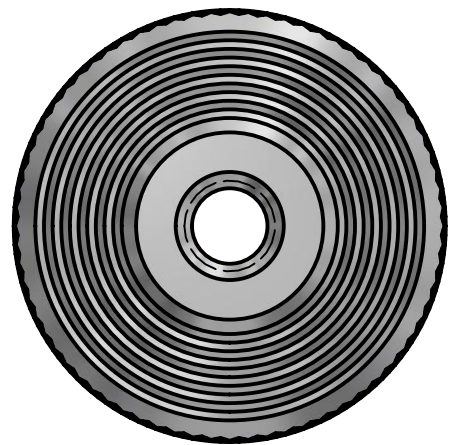


REVISIONS

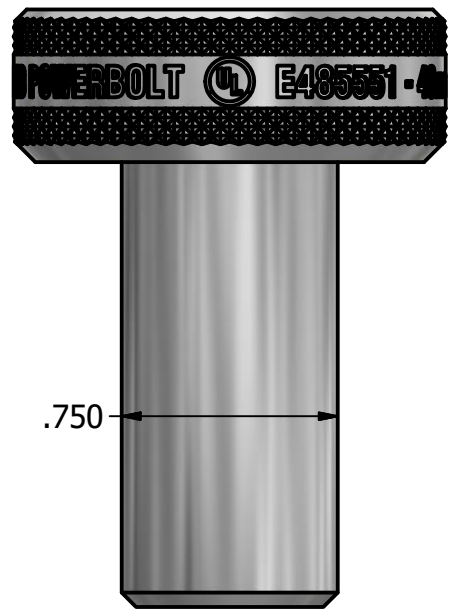
1	CHANGES PER MEETING AT SERV-ALL 8/24/16
2	APPROVED FOR PRODUCTION 10/29/16
3	DIMENSION CLARIFICATION 09/26/17



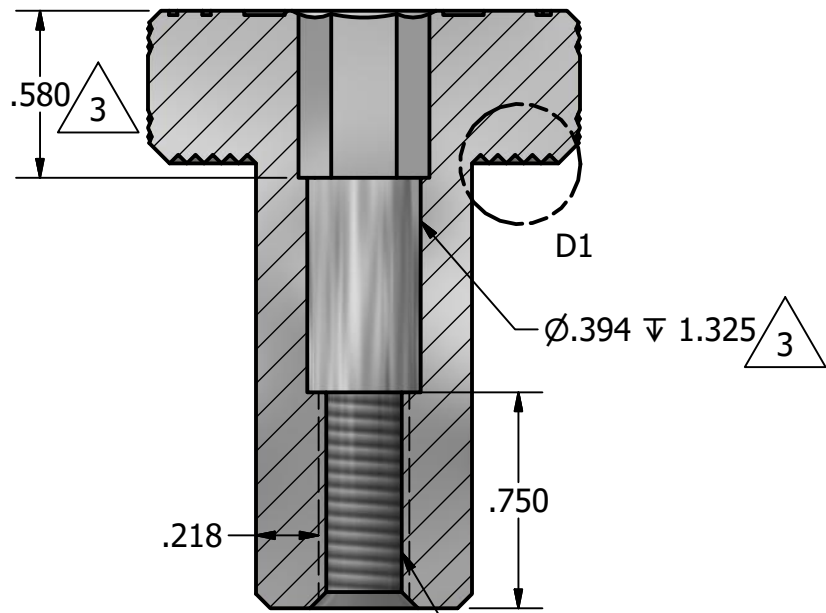
TOP VIEW
SCALE 1.5 : 1



BOTTOM VIEW
SCALE 1.5 : 1

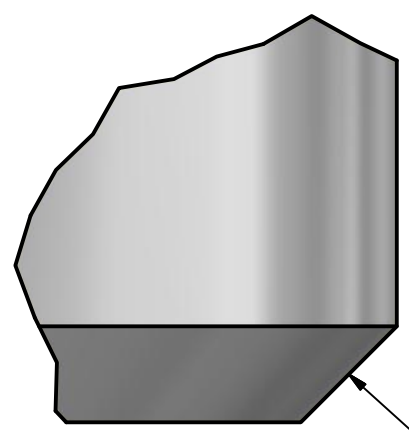


FRONT VIEW
SCALE: 1.5 : 1

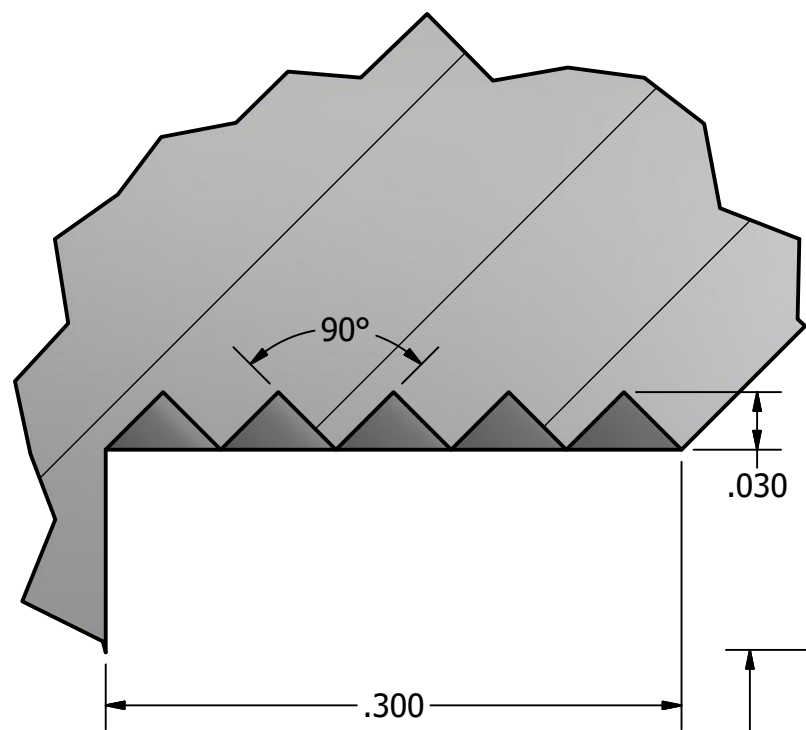


SECTION A-A
SCALE 1.5 : 1

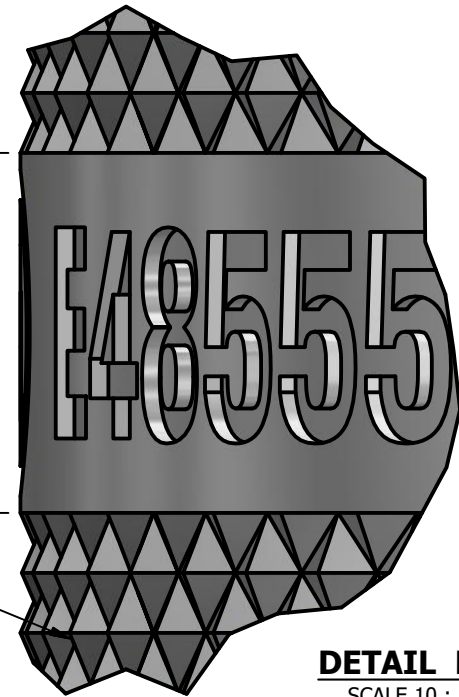
M8x1.25 - 6H
∠ ∅.375 X 90°



DETAIL D2
SCALE 10 : 1

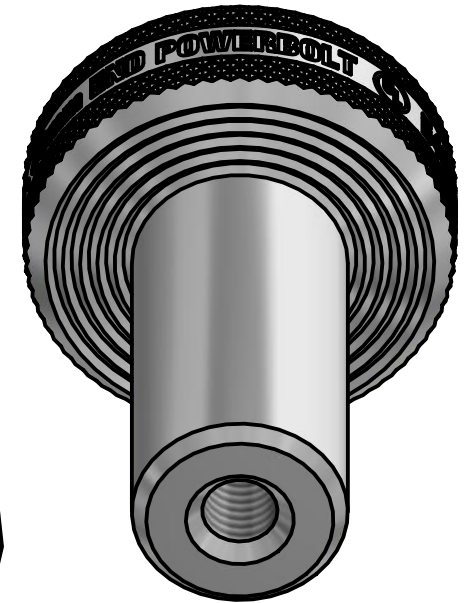


DETAIL D1
SCALE 10 : 1



DETAIL D3
SCALE 10 : 1

16 pt. DIAMOND PATTERN
KNURL



CONTACT INFORMATION
4800 METALMASTER WAY
McHENRY, IL 60050
PHONE: 1-855-843-4828
FAX: 1-815-385-8738
EMAIL: INFO@LIMITLESSINNOVATIONS.COM

PART NUMBER: **40MM END POWERBOLT - UL**

DISCLAIMER
THE INFORMATION CONTAINED HEREIN IS CONFIDENTIAL AND PROPRIETARY AND IS NOT TO BE DISCLOSED OR DELIVERED TO THIRD PARTIES WITHOUT THE PRIOR WRITTEN CONSENT OF LIMITLESS INNOVATIONS, INC.

DRAWN BY: rhoeffleur
CHECKED BY:
ENG. APPROVAL:
MATERIAL: Aluminum 6061

DATE: 9/26/2017
PROJECT: **SOLAR KIT POWERBOLT**
TITLE: **CUT SHEET / DETAILS**
DESIGN STATE: Pending
SH. 1 OF 1

