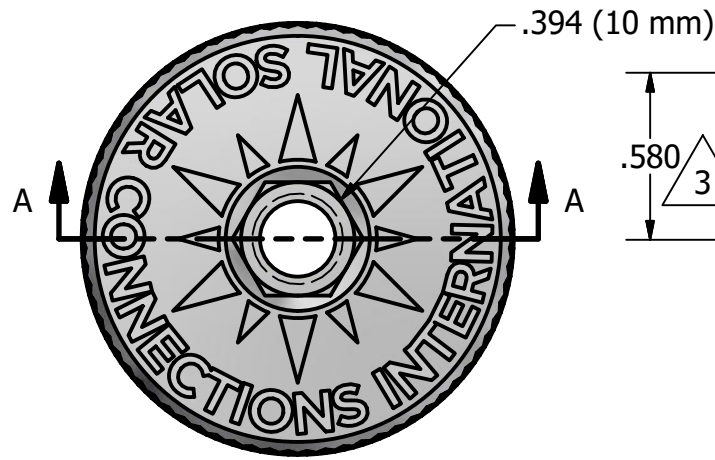
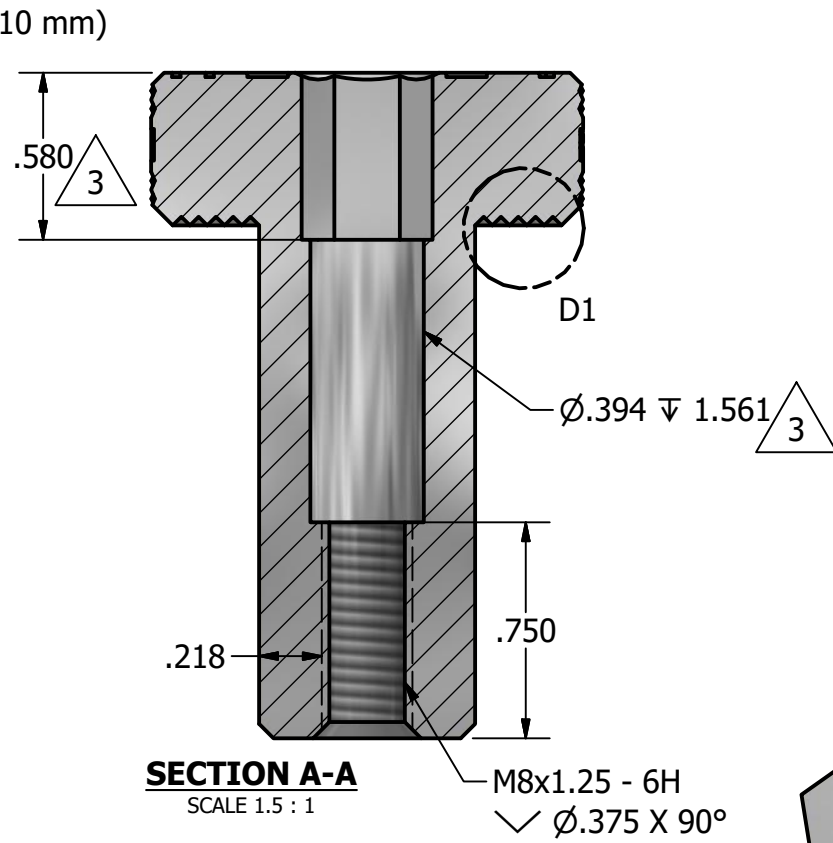


REVISIONS

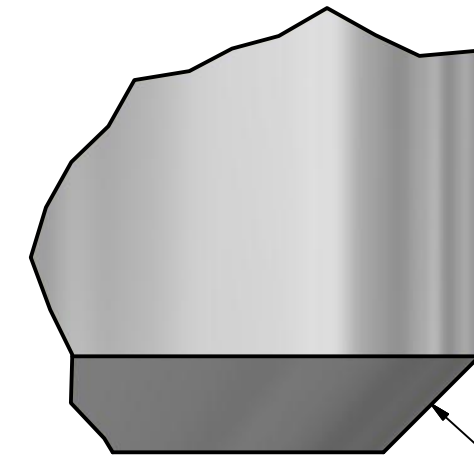
1	CHANGES PER MEETING AT SERV-ALL 8/24/16
2	APPROVED FOR PRODUCTION 10/29/16
3	DIMENSION CLARIFICATION 09/26/17



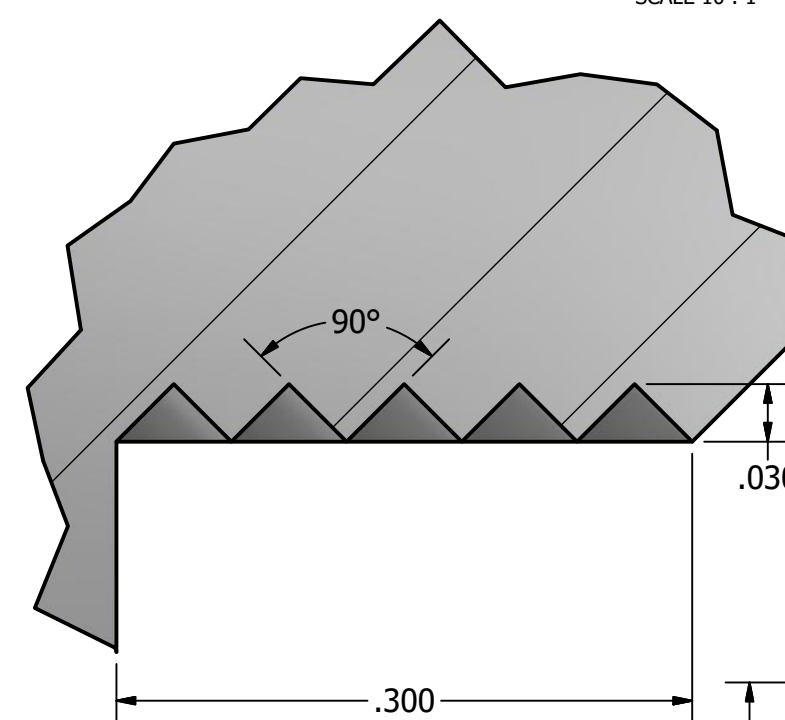
TOP VIEW
SCALE 1.5 : 1



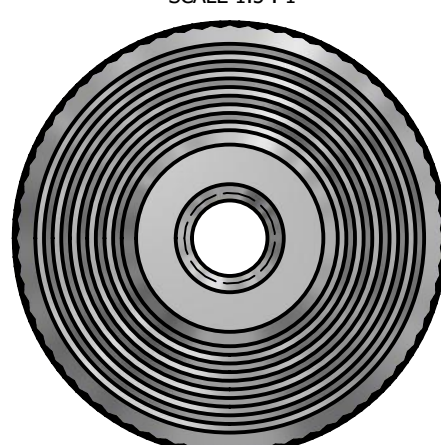
SECTION A-A
SCALE 1.5 : 1



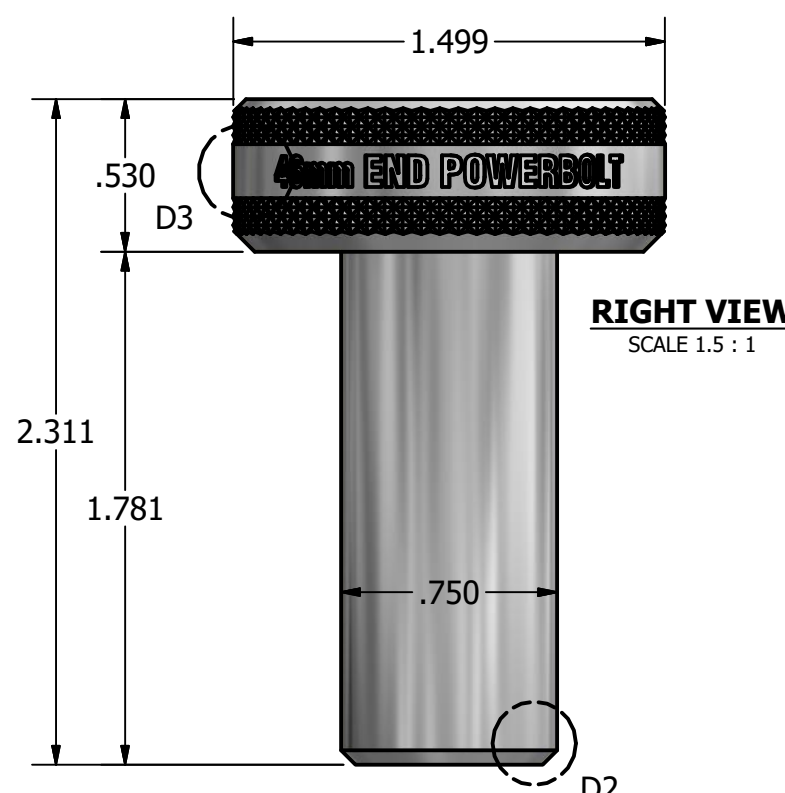
DETAIL D2
SCALE 10 : 1



DETAIL D1
SCALE 10 : 1

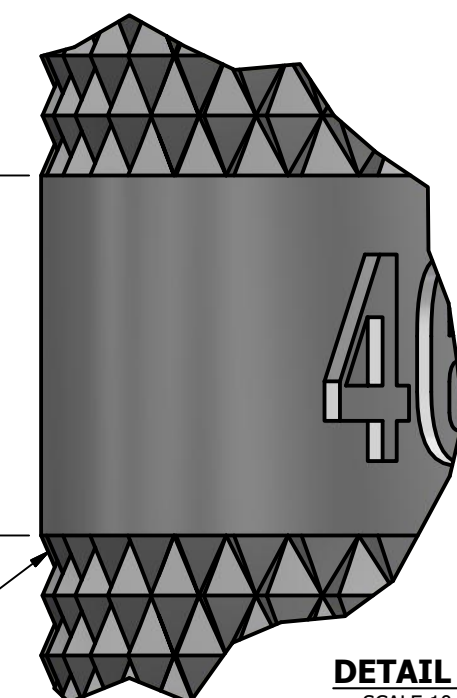


BOTTOM VIEW
SCALE 1.5 : 1

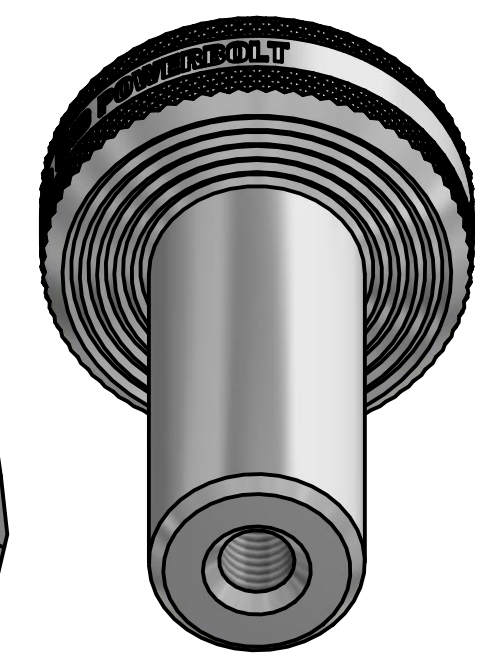


FRONT VIEW
SCALE: 1.5 : 1

RIGHT VIEW
SCALE 1.5 : 1



DETAIL D3
SCALE 10 : 1



CONTACT INFORMATION
 4800 METALMASTER WAY
 McHENRY, IL 60050
 PHONE: 1-855-843-4828
 FAX: 1-815-385-8738
 EMAIL: INFO@LIMITLESSINNOVATIONS.COM

PART NUMBER: **46MM END POWERBOLT**

DISCLAIMER
 THE INFORMATION CONTAINED HEREIN IS CONFIDENTIAL AND PROPRIETARY AND IS NOT TO BE DISCLOSED OR DELIVERED TO THIRD PARTIES WITHOUT THE PRIOR WRITTEN CONSENT OF LIMITLESS INNOVATIONS, INC.

DRAWN BY: rhoeffleur
 CHECKED BY:
 ENG. APPROVAL:
 MATERIAL: Aluminum 6061

PROJECT: **SOLAR KIT POWERBOLT**
 TITLE: **CUT SHEET / DETAILS**
 DESIGN STATE: Pending
 SH. 1 OF 1