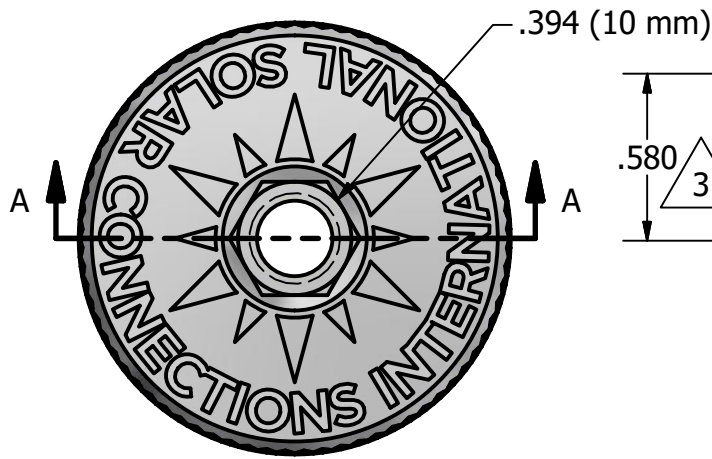
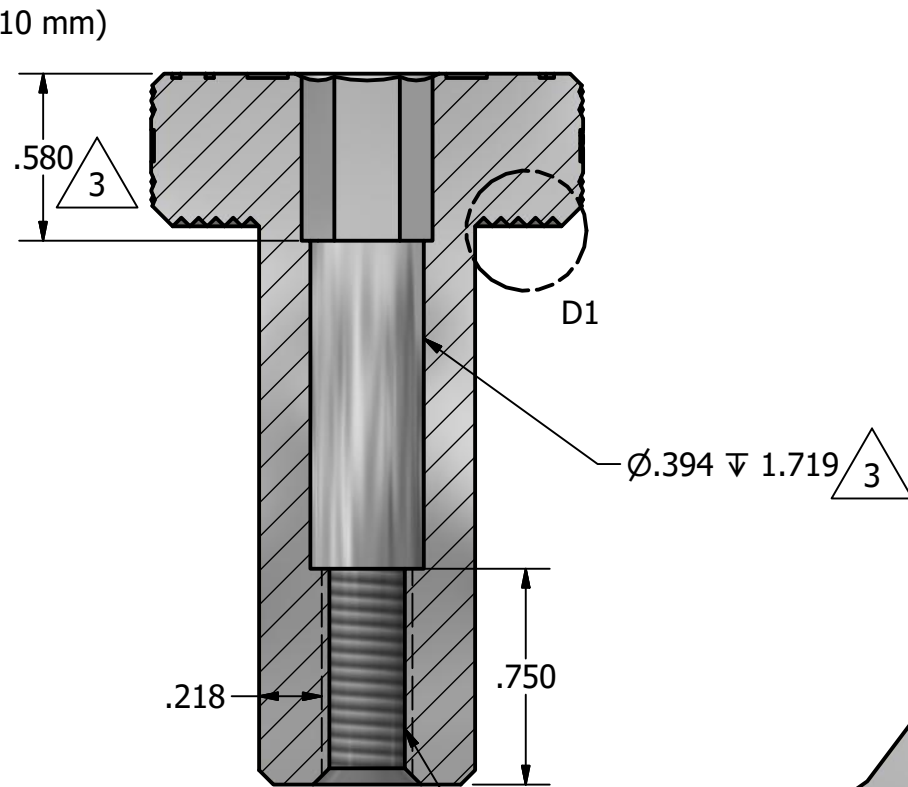


REVISIONS

| | |
|---|---|
| 1 | CHANGES PER MEETING AT SERV-ALL 8/24/16 |
| 2 | APPROVED FOR PRODUCTION 12/01/16 |
| 3 | DIMENSION CLARIFICATION 09/26/17 |

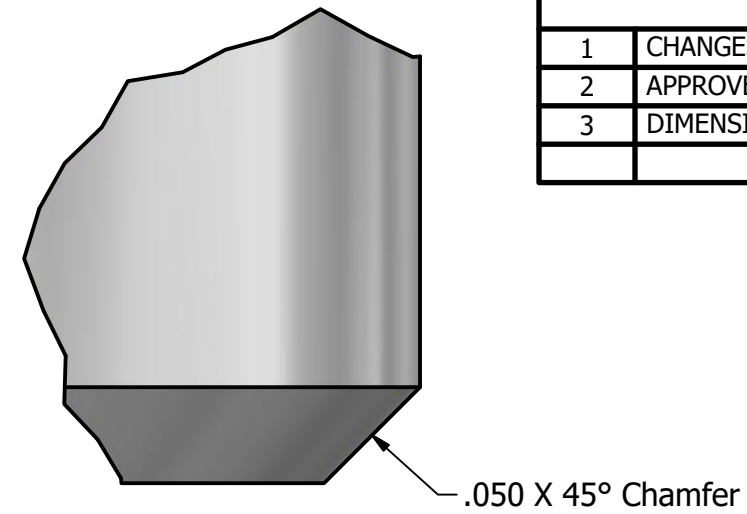


TOP VIEW
SCALE 1.5 : 1

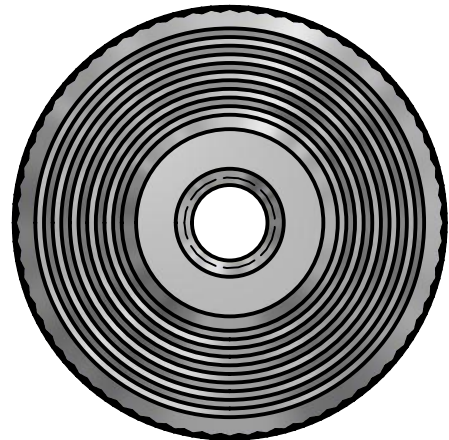


SECTION A-A
SCALE 1.5 : 1

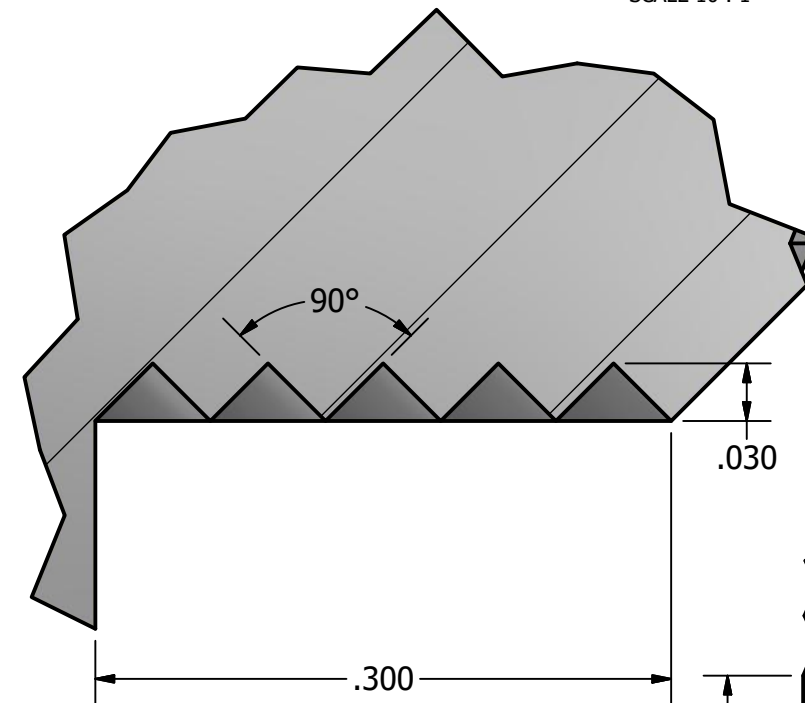
M8x1.25 - 6H
∠ Ø.375 X 90°



DETAIL D2
SCALE 10 : 1

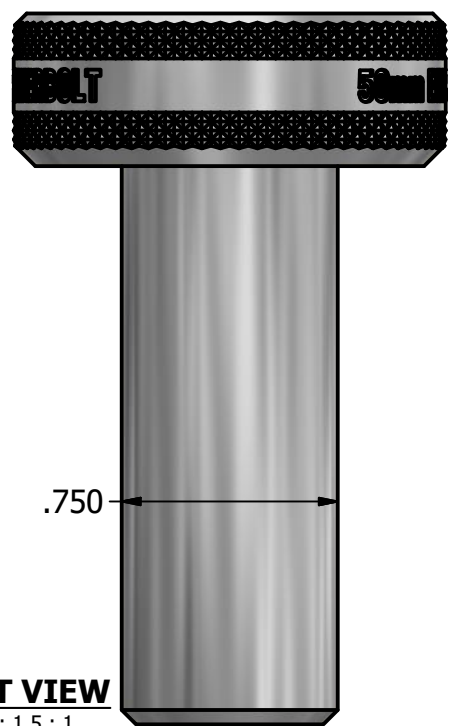


BOTTOM VIEW
SCALE 1.5 : 1

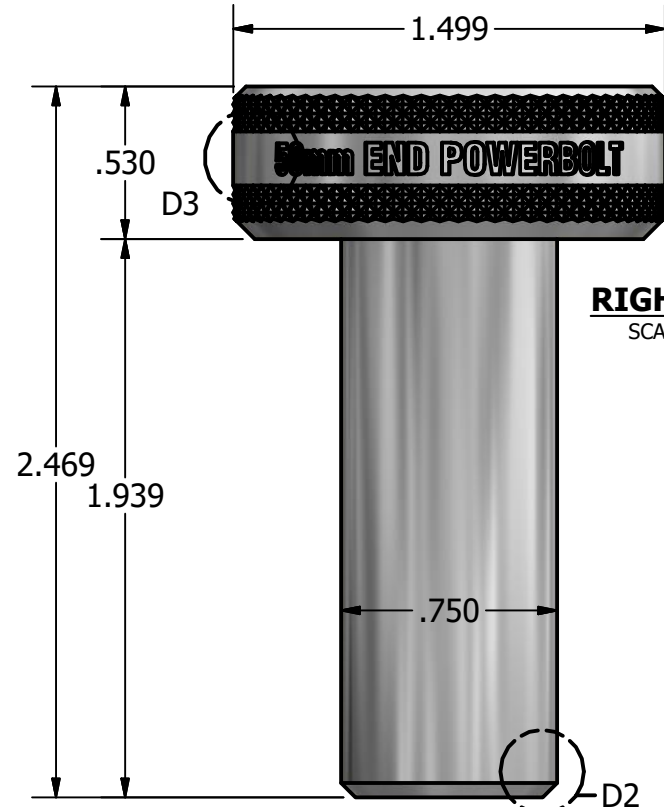


DETAIL D1
SCALE 10 : 1

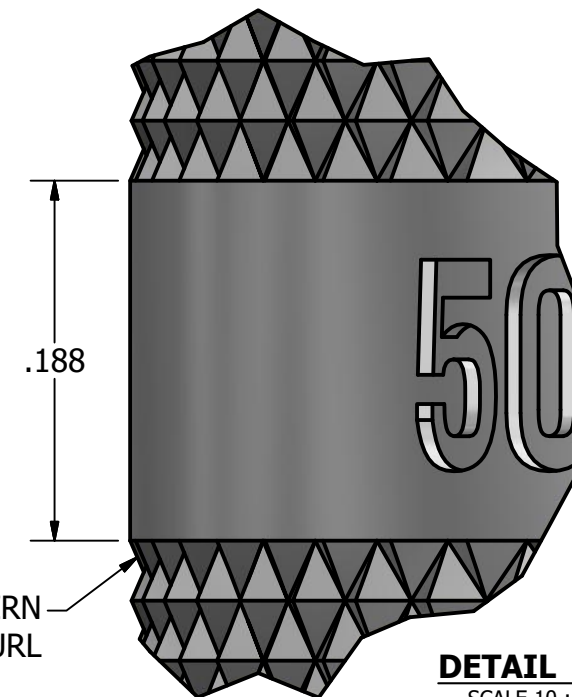
16 pt. DIAMOND PATTERN
KNURL



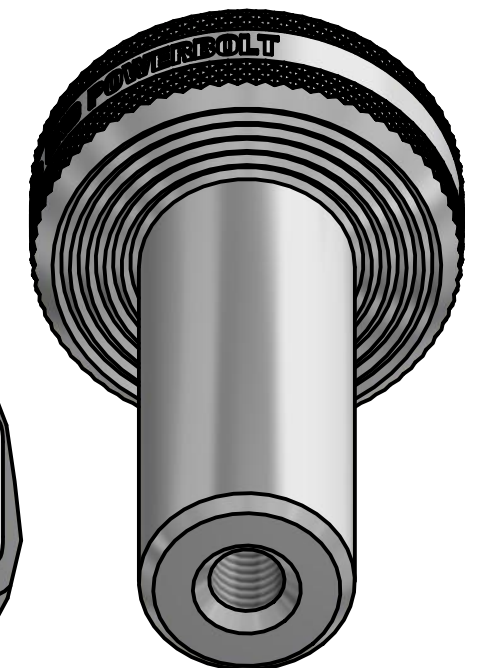
FRONT VIEW
SCALE: 1.5 : 1



RIGHT VIEW
SCALE 1.5 : 1



DETAIL D3
SCALE 10 : 1



CONTACT INFORMATION

4800 METALMASTER WAY
McHENRY, IL 60050
PHONE: 1-855-843-4828
FAX: 1-815-385-8738
EMAIL: INFO@LIMITLESSINNOVATIONS.COM

PART NUMBER:

50MM END POWERBOLT

DISCLAIMER

THE INFORMATION CONTAINED HEREIN IS CONFIDENTIAL AND PROPRIETARY AND IS NOT TO BE DISCLOSED OR DELIVERED TO THIRD PARTIES WITHOUT THE PRIOR WRITTEN CONSENT OF LIMITLESS INNOVATIONS, INC.

DRAWN BY:
rhoneffleur

CHECKED BY:

ENG. APPROVAL:

9/26/2017

MATERIAL:
Aluminum 6061

PROJECT:

SOLAR KIT POWERBOLT

TITLE:

CUT SHEET / DETAILS

DESIGN STATE:
Pending