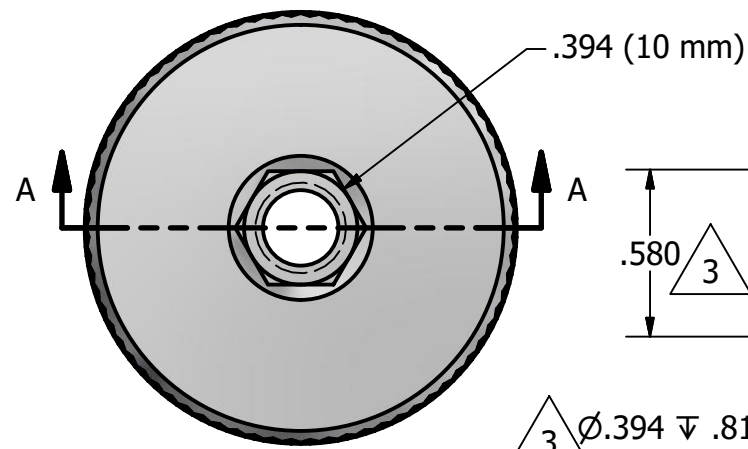
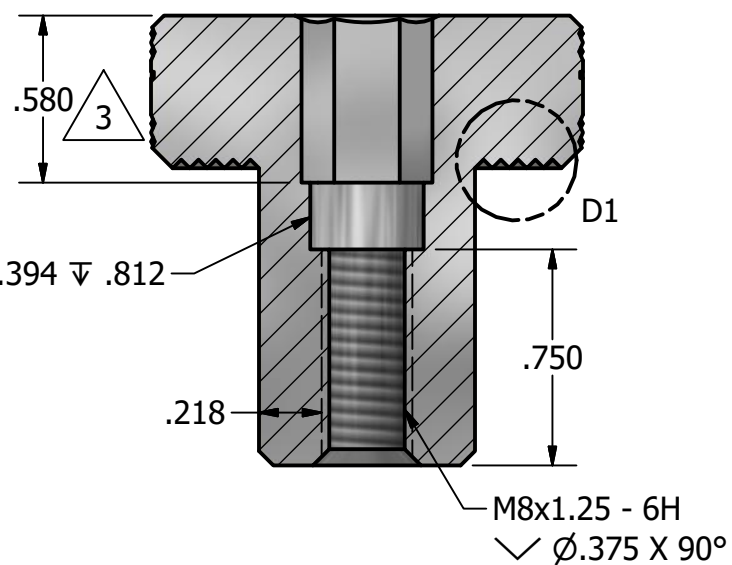


**REVISIONS**

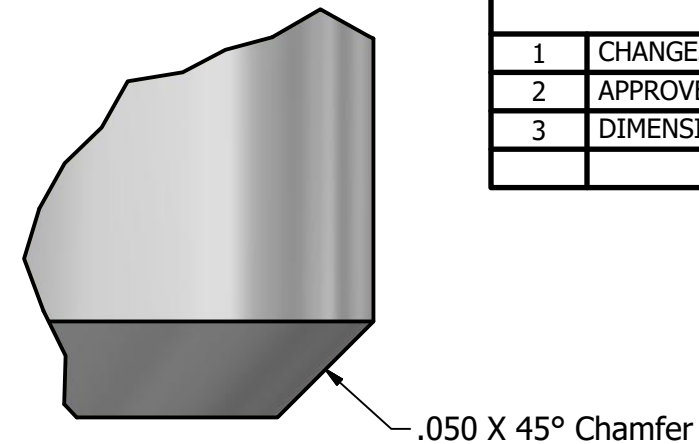
1	CHANGES PER MEETING AT SERV-ALL 8/24/16
2	APPROVED FOR PRODUCTION 10/29/16
3	DIMENSION CLARIFICATION 09/26/17



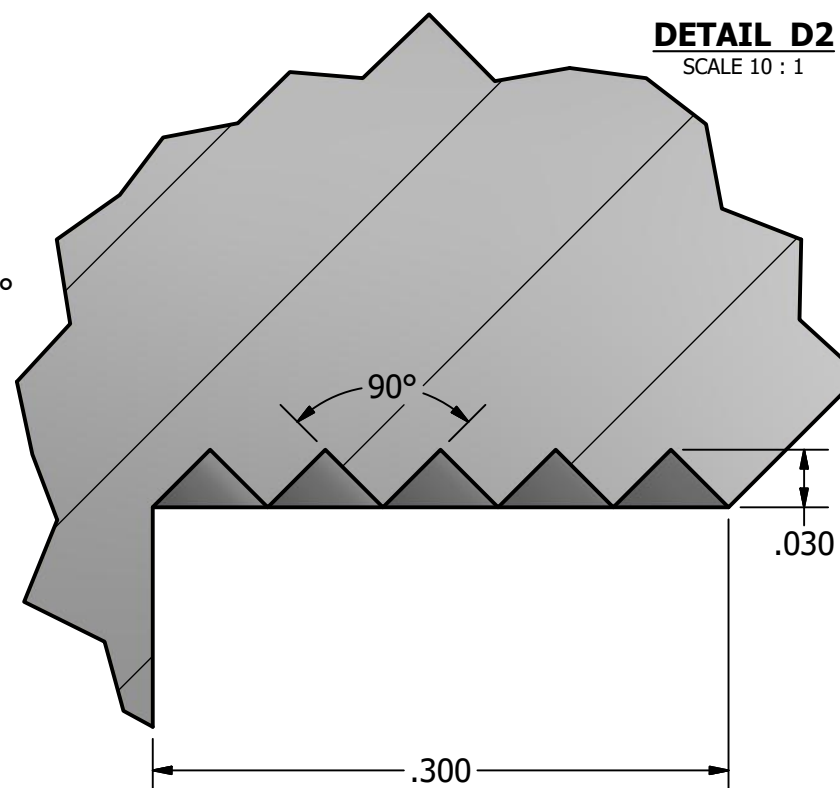
**TOP VIEW**  
SCALE 1.5 : 1



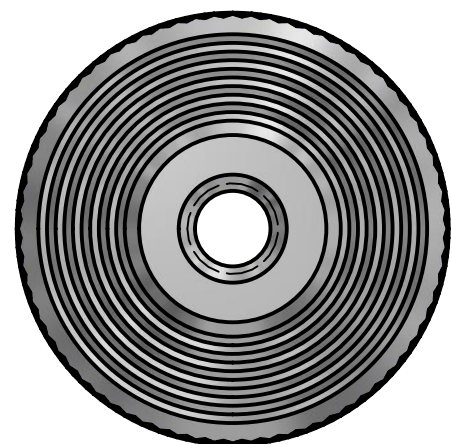
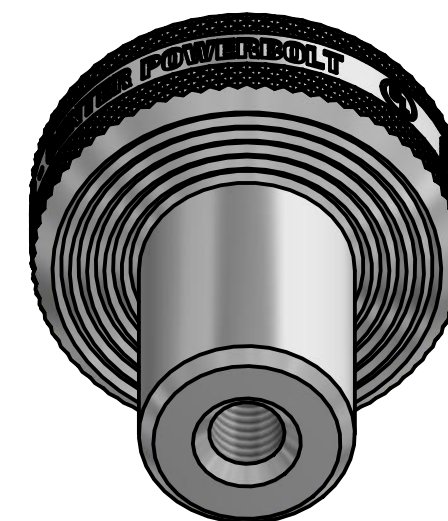
**SECTION A-A**  
SCALE 1.5 : 1



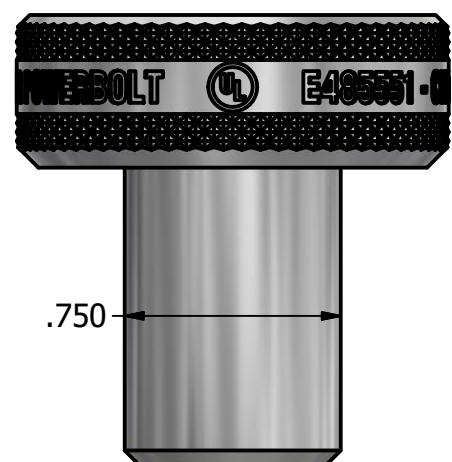
**DETAIL D2**  
SCALE 10 : 1



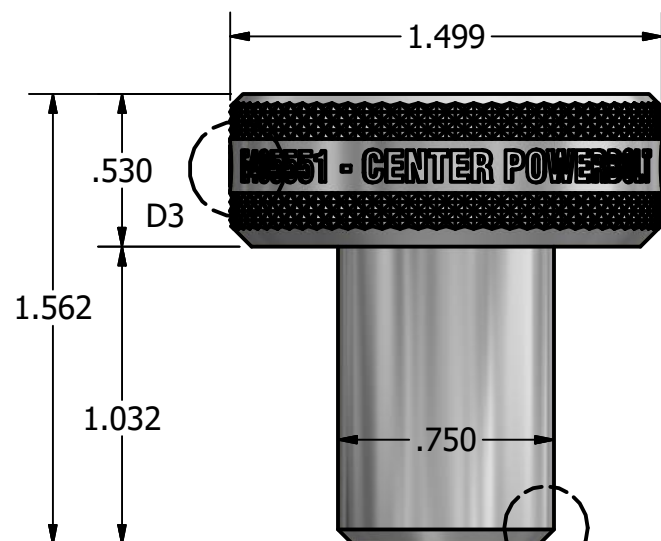
**DETAIL D1**  
SCALE 10 : 1



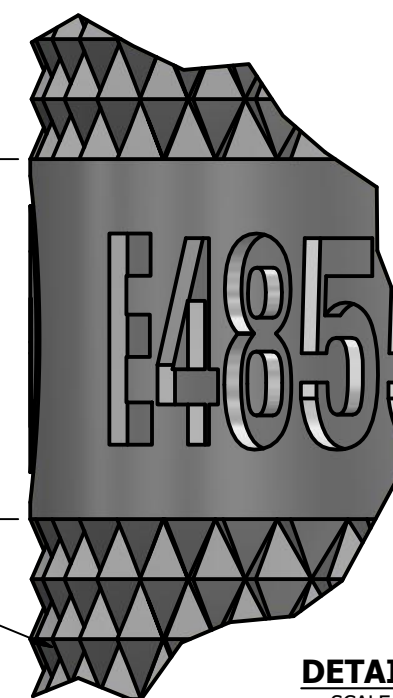
**BOTTOM VIEW**  
SCALE 1.5 : 1



**FRONT VIEW**  
SCALE: 1.5 : 1



**RIGHT VIEW**  
SCALE 1.5 : 1



**DETAIL D3**  
SCALE 10 : 1

16 pt. DIAMOND PATTERN  
KNURL



**CONTACT INFORMATION**  
4800 METALMASTER WAY  
McHENRY, IL 60050  
PHONE: 1-800-815-7652  
FAX: 1-815-455-4367  
EMAIL: INFO@SOLARCONNECTIONS.COM

PART NUMBER:

**CENTER POWERBOLT - UL**

DRAWN BY:  
rhoeffleur

9/25/2017

PROJECT:

**SOLAR KIT**

CHECKED BY:

TITLE:

**CUT SHEET / DETAILS**

**DISCLAIMER**

THE INFORMATION CONTAINED HEREIN IS CONFIDENTIAL AND PROPRIETARY AND IS NOT TO BE DISCLOSED OR DELIVERED TO SOLAR CONNECTIONS INTERNATIONAL, INC.

MATERIAL:  
Aluminum 6061

DESIGN STATE:  
Pending