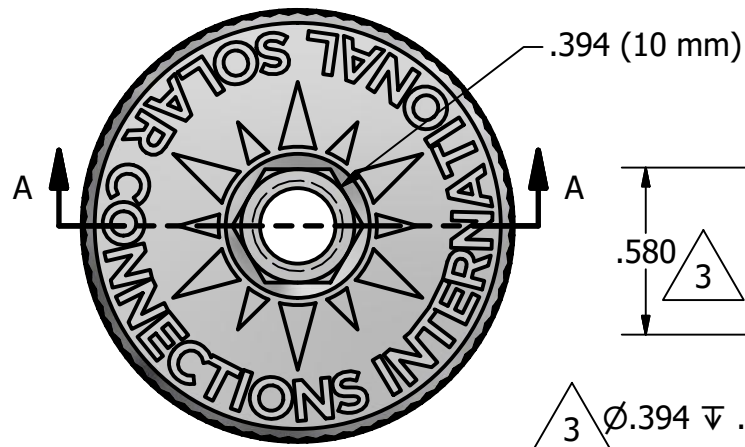
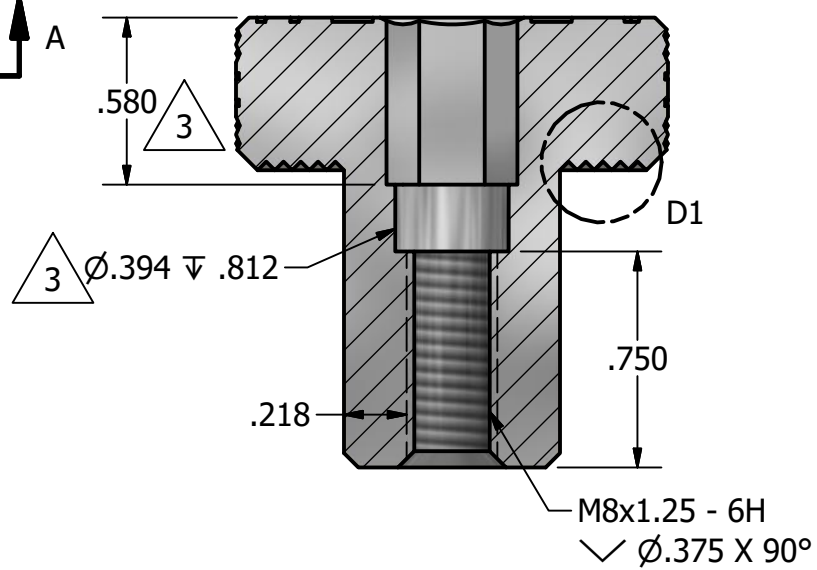


**REVISIONS**

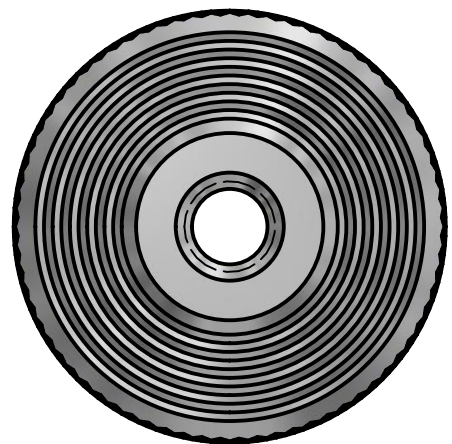
1	CHANGES PER MEETING AT SERV-ALL 8/24/16
2	APPROVED FOR PRODUCTION 10/29/16
3	DIMENSION CLARIFICATION 09/26/17



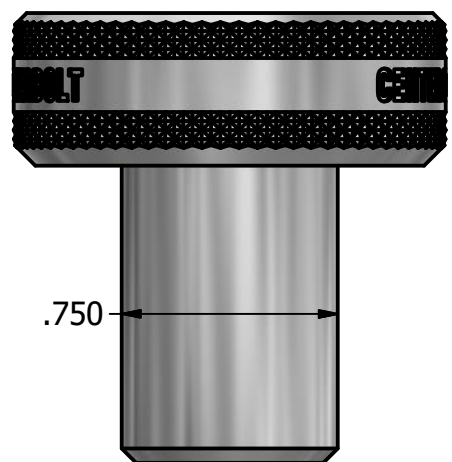
**TOP VIEW**  
SCALE 1.5 : 1



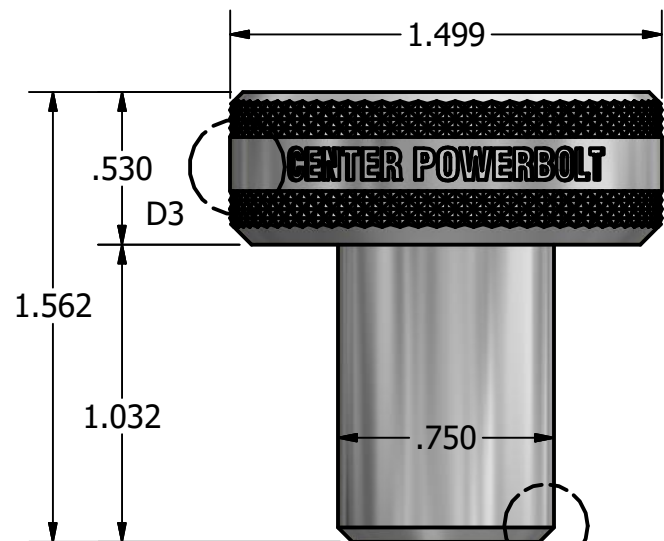
**SECTION A-A**  
SCALE 1.5 : 1



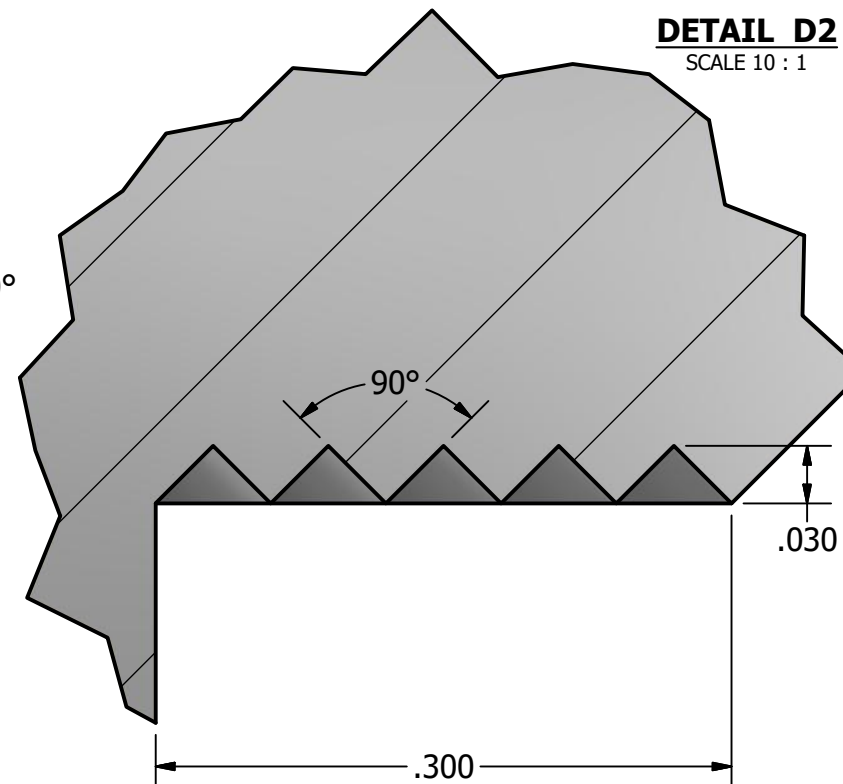
**BOTTOM VIEW**  
SCALE 1.5 : 1



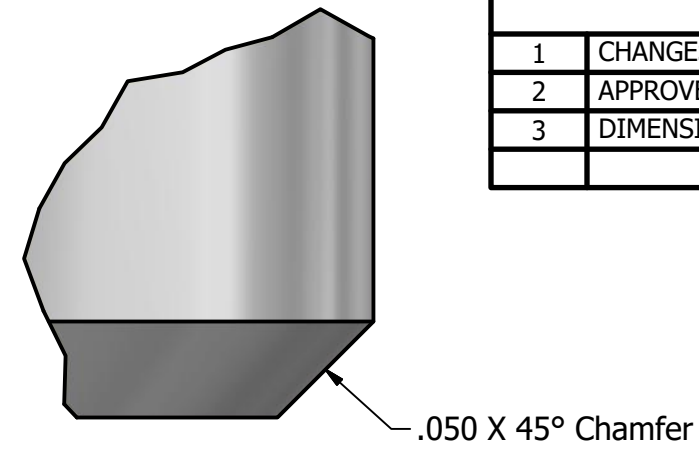
**FRONT VIEW**  
SCALE: 1.5 : 1



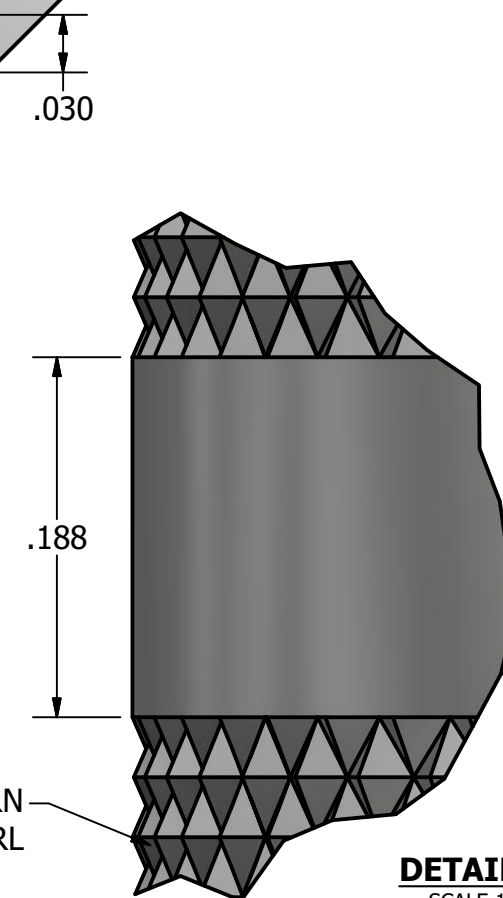
**RIGHT VIEW**  
SCALE 1.5 : 1



**DETAIL D1**  
SCALE 10 : 1



**DETAIL D2**  
SCALE 10 : 1



**DETAIL D3**  
SCALE 10 : 1



**CONTACT INFORMATION**

4800 METALMASTER WAY  
McHENRY, IL 60050  
PHONE: 1-855-843-4828  
FAX: 1-815-385-8738  
EMAIL: INFO@LIMITLESSINNOVATIONS.COM

PART NUMBER:

**CENTER POWERBOLT**

**DISCLAIMER**

THE INFORMATION CONTAINED HEREIN IS CONFIDENTIAL AND PROPRIETARY AND IS NOT TO BE DISCLOSED OR DELIVERED TO THIRD PARTIES WITHOUT THE PRIOR WRITTEN CONSENT OF LIMITLESS INNOVATIONS, INC.

DRAWN BY:  
rhoeffleur

CHECKED BY:

ENG. APPROVAL:

9/26/2017

MATERIAL:  
Aluminum 6061

PROJECT:

**SOLAR KIT POWERBOLT**

TITLE:

**CUT SHEET / DETAILS**

DESIGN STATE:  
Pending