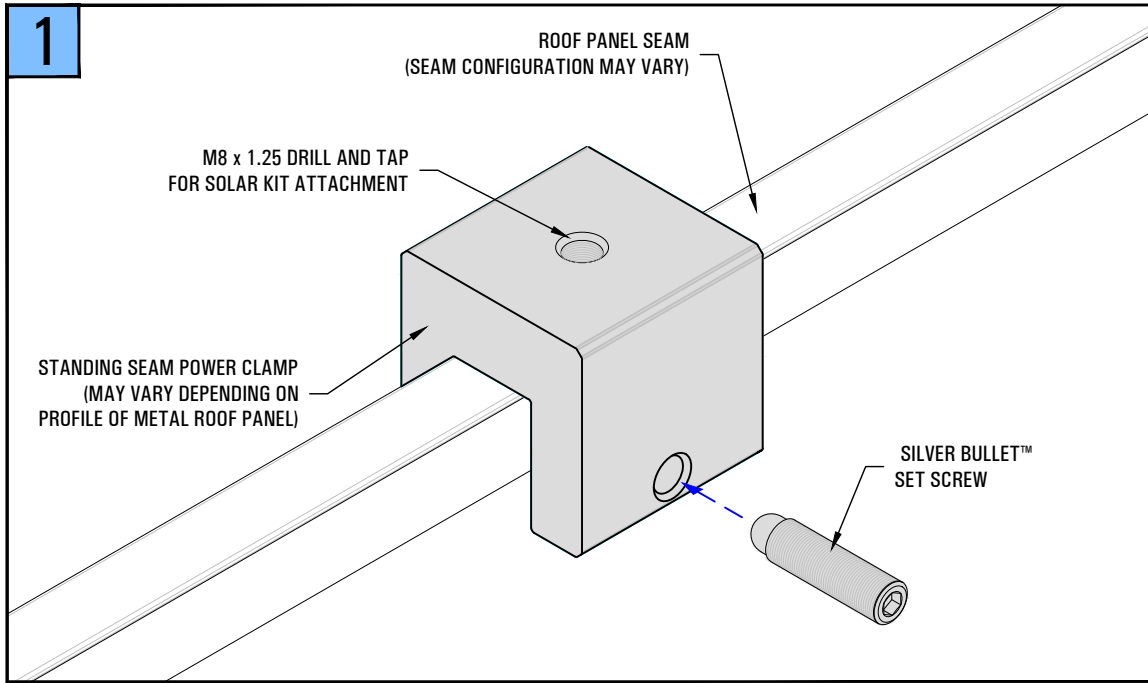
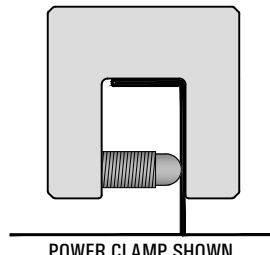


*** SOLAR KIT INSTALLATION INSTRUCTIONS ***

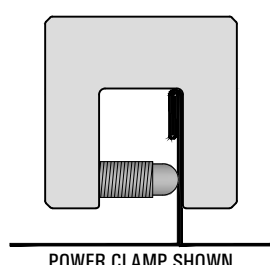
1



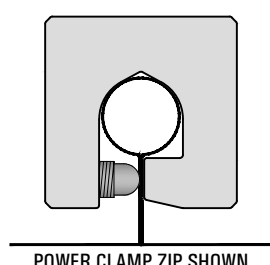
SINGLE LOCK PROFILE



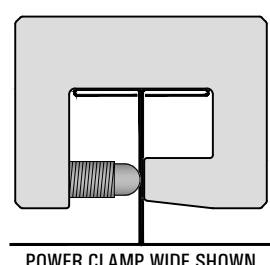
DOUBLE LOCK PROFILE



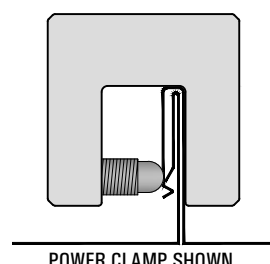
BULB STYLE PROFILE



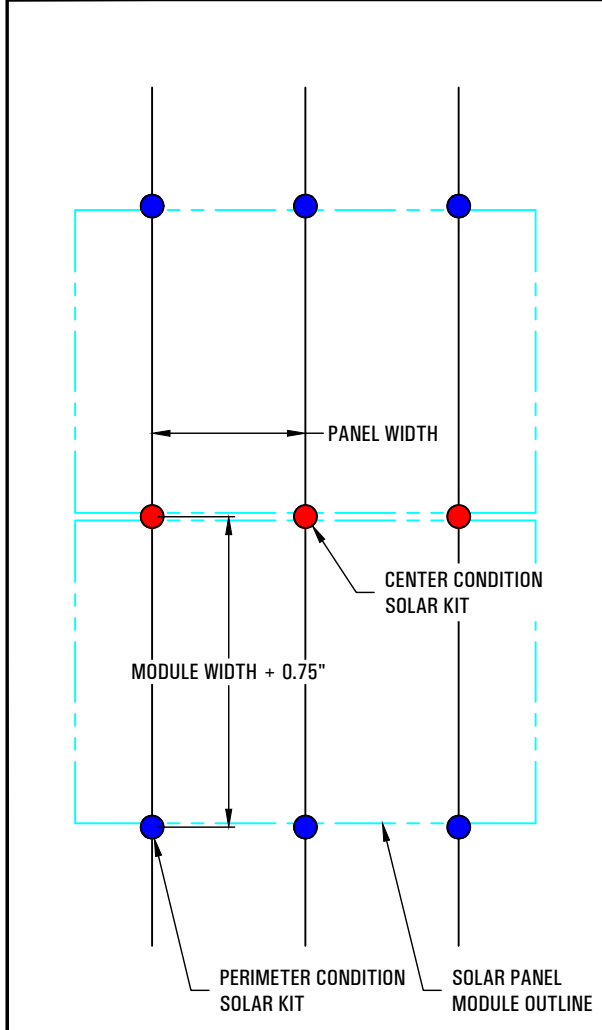
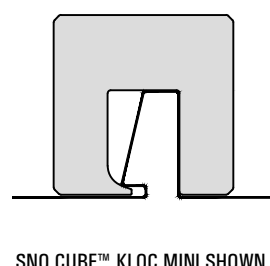
T-SEAM PROFILE



SNAP LOCK PROFILE



1" MAIL-STRIP PROFILE



1. MEASURE THE DISTANCE FROM THE EAVE TO THE FIRST ROW AND USE A STRING LINE OVER THE ROOF PANEL SEAMS TO ESTABLISH A STRAIGHT GUIDELINE FOR INSTALLATION.
2. ALIGN THE STANDING SEAM POWER CLAMP ON THE SEAM EXACTLY AS SHOWN IN THE ORIENTATION ON THE RIGHT SIDE OF THIS PAGE, DEPENDING ON THE APPLICABLE SEAM PROFILE.
3. SET THE SINGLE SET SCREW LOCATED AT THE BOTTOM OF THE CLAMP. THE TORQUE SHOULD BE VERIFIED WITH A CALIBRATED TORQUE WRENCH WITHIN THE RECOMMENDED GUIDELINES SET FORTH BELOW.

NOTE: CONTACT SOLAR CONNECTIONS INTERNATIONAL, INC. FOR THE RECOMMENDED TORQUE REQUIREMENTS OF ANY METAL GAUGE AND/OR MATERIAL NOT LISTED BELOW.

24 Ga. STEEL = 150 IN/LBS - 160 IN/LBS B. 22 Ga. STEEL = 180 IN/LBS - 200 IN/LBS
4. VERIFY THAT THE STANDING SEAM POWER CLAMP IS SECURE, STRAIGHT AND LEVEL, THEN REPEAT STEPS 1-3 FOR REMAINING CLAMPS IN THE MODULE ARRAY. BE SURE TO FOLLOW THE ARCHITECT'S AND/OR ENGINEER'S REQUIRED SPACING AND/OR LAYOUT, INCLUDING THEIR ADJUSTMENTS FOR FIELD CONDITIONS, IF ANY. (A RECOMMENDED LAYOUT IS FURNISHED BY SOLAR CONNECTIONS INTERNATIONAL, INC. ONLY UPON WRITTEN REQUEST)



4800 METALMASTER WAY - McHENRY, IL 60050

PHONE: 815.477-GEMS
FAX: 815.455-GEMS

WEBSITE: WWW.SNOGEM.COM
E-MAIL: INFO@SNOGEM.COM

DISCLAIMER

THE INFORMATION HEREIN IS CONFIDENTIAL AND PROPRIETARY AND IS NOT TO BE DISCLOSED OR DELIVERED TO THIRD PARTIES WITHOUT THE PRIOR WRITTEN CONSENT OF SNO GEM, INC.

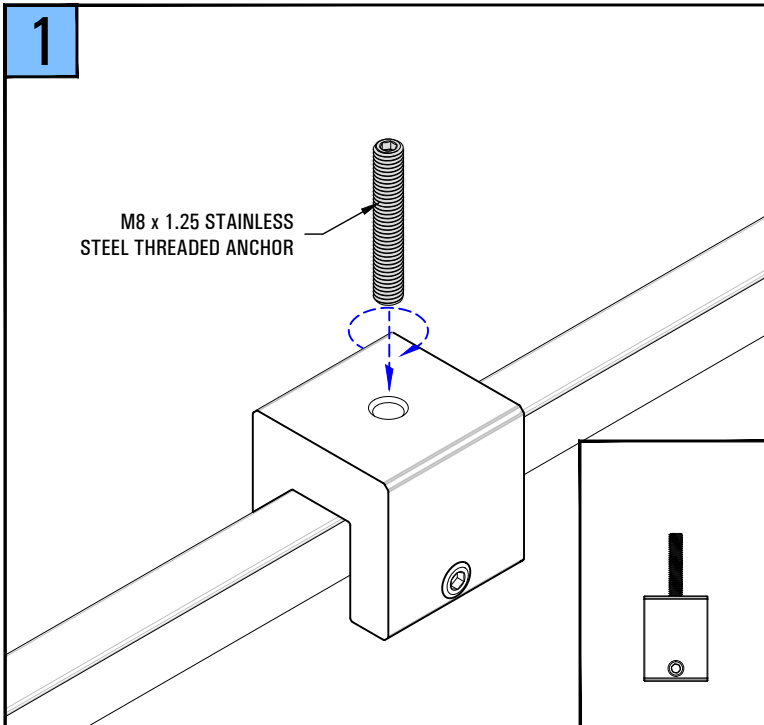
SOLAR CONNECTIONS INTERNATIONAL, INC. DOES NOT WARRANT THE INSTALLATION IF ITS PRODUCTS. PRODUCT PERFORMANCE IS DEPENDENT ON THE INSTALLERS STRICT ADHERENCE TO THESE INSTALLATION INSTRUCTIONS.

SOLAR CONNECTIONS INTERNATIONAL, INC. IS NOT A LICENSED ARCHITECT OR ENGINEER, THEREFORE WE STRONGLY RECOMMEND THAT AN ARCHITECT AND/OR STRUCTURAL ENGINEER PROPERLY LICENSED IN THE CITY AND STATE WHERE THE PROJECT IS LOCATED, REVIEW THE CONTEMPLATED LAYOUT TO ENSURE THAT THE BUILDING STRUCTURE CAN WITHSTAND THE PROJECTED SNOW LOAD. SNO GEM, INC. ASSUMES NO LIABILITY THEREFORE.

DRAWN BY:	RJH
DATE:	11/8/16
SCALE:	N.T.S.

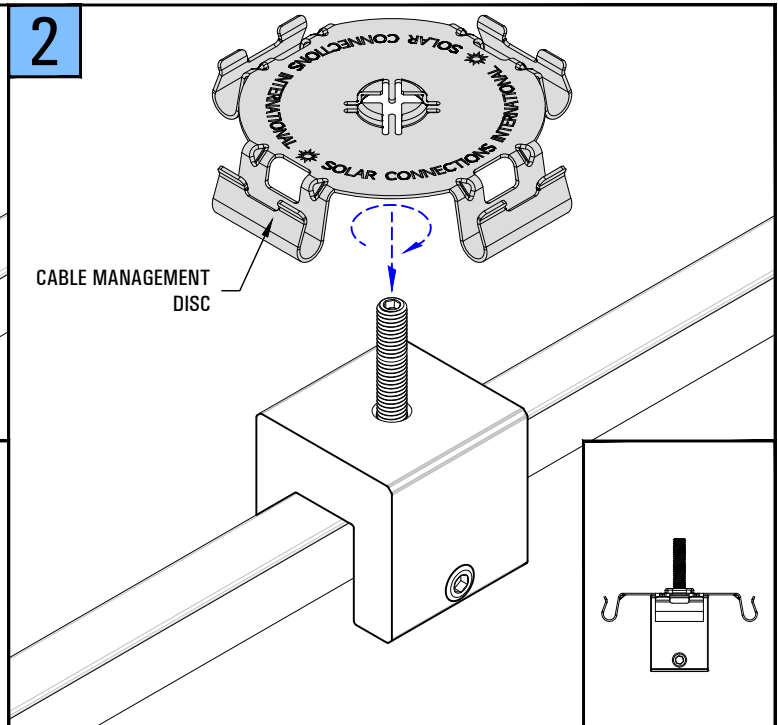
1

*** SOLAR KIT INSTALLATION INSTRUCTIONS ***



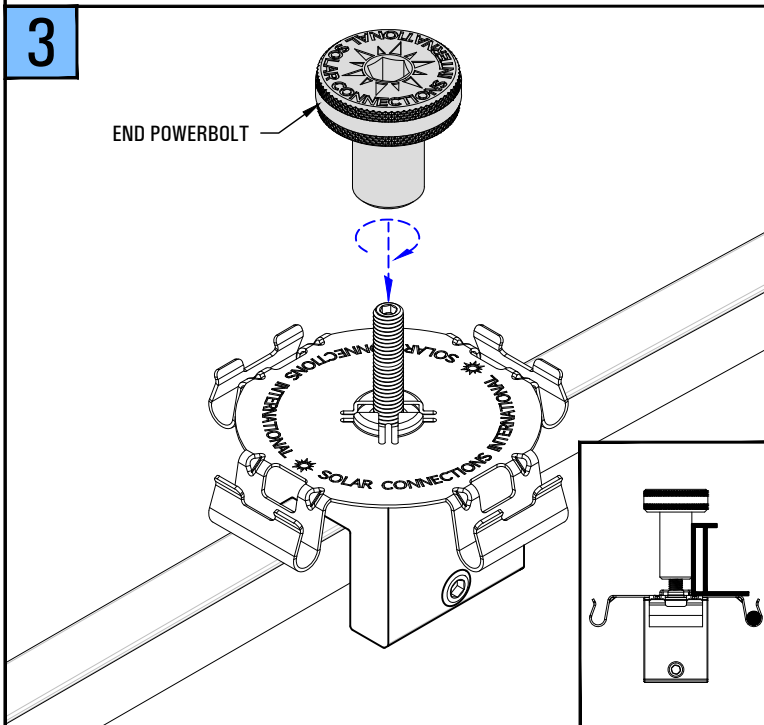
M8 x 1.25 STAINLESS STEEL THREADED ANCHOR

INSERT THE STAINLESS STEEL THREADED ANCHOR INTO THE TOP OF THE STANDING SEAM POWER CLAMP AND TORQUE WITH A CALIBRATED TORQUE WRENCH TO A MINIMUM OF 100 IN./LBS.



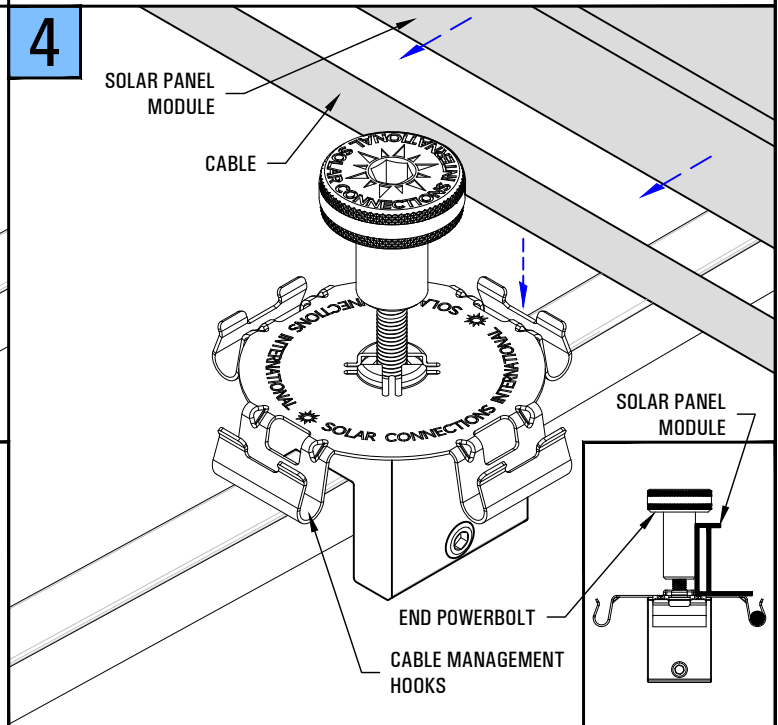
CABLE MANAGEMENT DISC

CENTER THE CABLE MANAGEMENT DISC OVER THE STAINLESS STEEL THREADED ANCHOR AND PRESS DOWN UNTIL THE CABLE MANAGEMENT DISC REST FIRMLY ON THE TOP FACE OF THE STANDING SEAM POWER CLAMP, ROTATE CLOCKWISE TO TIGHTEN AND ALIGN THE CABLE MANAGEMENT HOOKS AS NECESSARY. REPEAT STEPS 1-2 FOR ALL STANDING SEAM POWER CLAMPS INSTALLED ON THE ROOF SEAMS.



END POWERBOLT

CENTER AND THREAD THE END POWERBOLT ON TO THE STAINLESS STEEL THREADED ANCHOR. MAKE SURE TO NOT TIGHTEN DOWN THE END POWERBOLT ALL THE WAY AS YOU WILL NEED CLEARANCE FOR THE SOLAR PANEL MODULE. REPEAT THIS STEP FOR THE ENTIRE FIRST ROW OF STANDING SEAM POWER CLAMPS, IN A SERIES, ONLY.



SOLAR PANEL MODULE

CABLE

SOLAR PANEL MODULE

END POWERBOLT
CABLE MANAGEMENT HOOKS

SLIDE THE SOLAR PANEL MODULE ON TO THE TOP FACE OF THE CABLE MANAGEMENT DISC. MAKE SURE THE EDGE OF THE SOLAR PANEL MODULE IS UP AGAINST THE CENTER SHANK OF THE END POWERBOLT. USE THE CABLE MANAGEMENT HOOKS AS NECESSARY.



4800 METALMASTER WAY - McHENRY, IL 60050

PHONE: 815.477-GEMS
FAX: 815.455-GEMS

WEBSITE: WWW.SNOGEM.COM
E-MAIL: INFO@SNOGEM.COM

DISCLAIMER

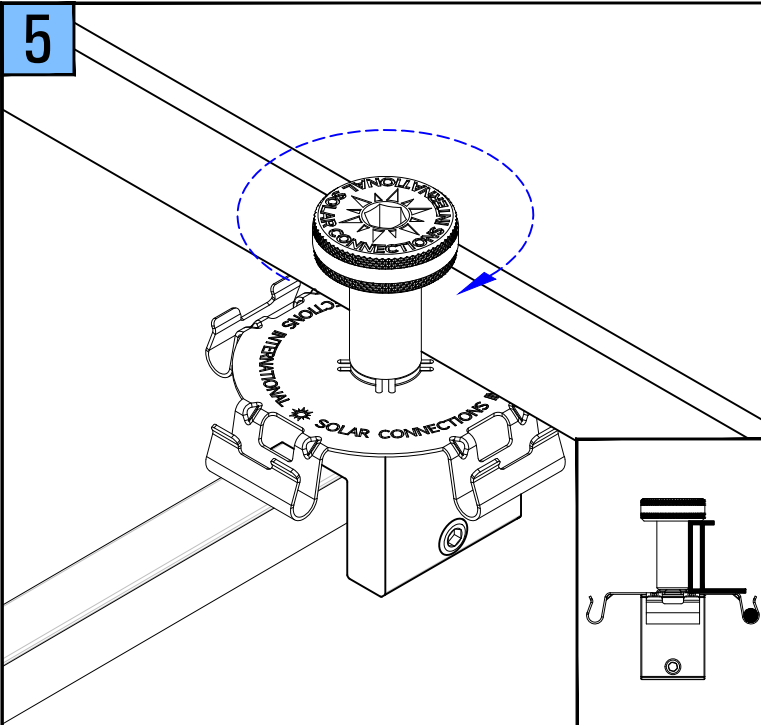
THE INFORMATION HEREIN IS CONFIDENTIAL AND PROPRIETARY AND IS NOT TO BE DISCLOSED OR DELIVERED TO THIRD PARTIES WITHOUT THE PRIOR WRITTEN CONSENT OF SNO GEM, INC.

SOLAR CONNECTIONS INTERNATIONAL, INC. DOES NOT WARRANT THE INSTALLATION IF ITS PRODUCTS. PRODUCT PERFORMANCE IS DEPENDENT ON THE INSTALLERS STRICT ADHERENCE TO THESE INSTALLATION INSTRUCTIONS.

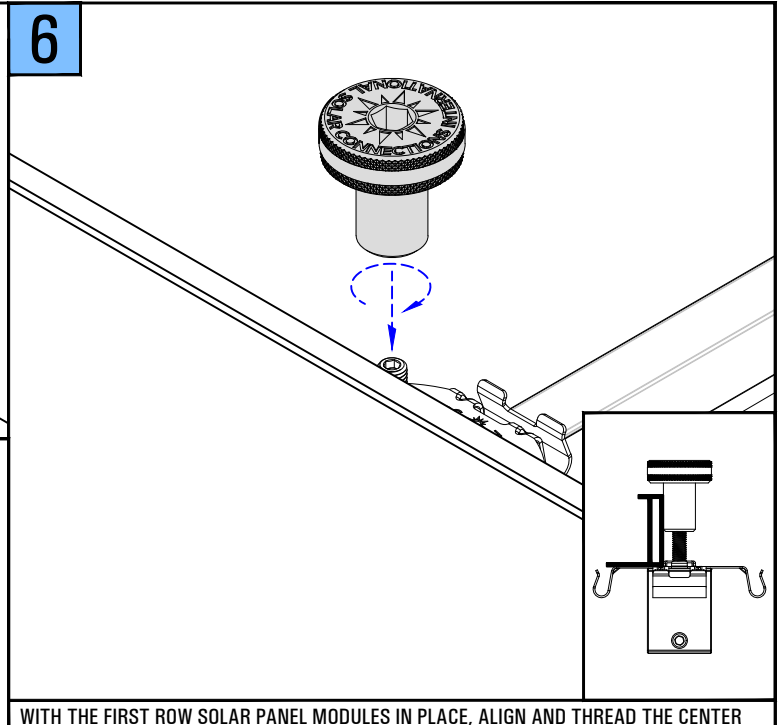
SOLAR CONNECTIONS INTERNATIONAL, INC. IS NOT A LICENSED ARCHITECT OR ENGINEER, THEREFORE WE STRONGLY RECOMMEND THAT AN ARCHITECT AND/OR STRUCTURAL ENGINEER PROPERLY LICENSED IN THE CITY AND STATE WHERE THE PROJECT IS LOCATED, REVIEW THE CONTEMPLATED LAYOUT TO ENSURE THAT THE BUILDING STRUCTURE CAN WITHSTAND THE PROJECTED SNOW LOAD. SNO GEM, INC. ASSUMES NO LIABILITY THEREFORE.

DRAWN BY:	RJH
DATE:	11/8/16
SCALE:	N.T.S.

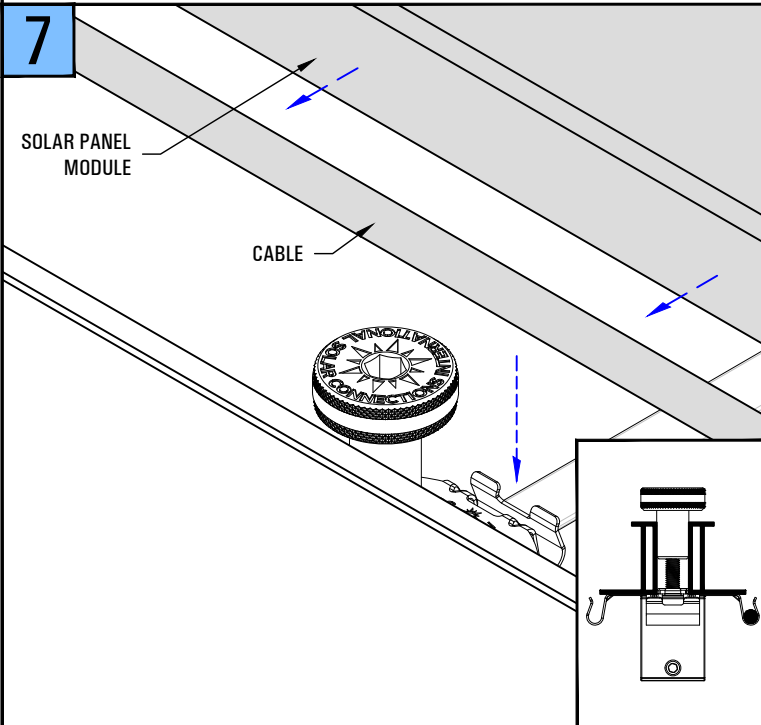
*** SOLAR KIT INSTALLATION INSTRUCTIONS ***



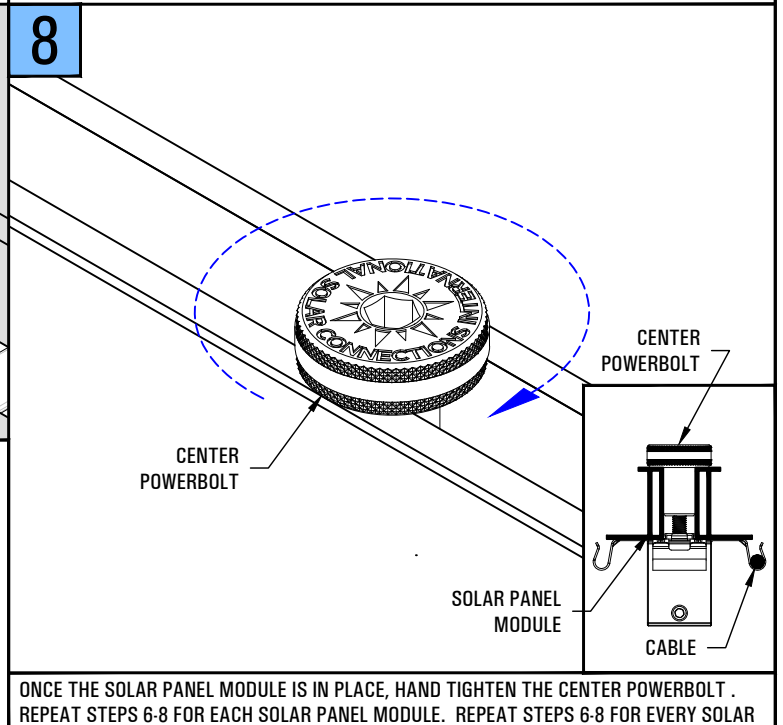
ONCE THE SOLAR PANEL MODULE IS IN PLACE, HAND TIGHTEN THE POWERBOLTS, REPEAT THIS STEPS 4-5 FOR EACH SOLAR PANEL MODULE IN THE FIRST ROW, OF A SERIES, ONLY.



WITH THE FIRST ROW SOLAR PANEL MODULES IN PLACE, ALIGN AND THREAD THE CENTER POWER BOLT ON TO THE STAINLESS STEEL THREADED ANCHORS LOCATED ON THE OPPOSITE EDGE FROM THE WHERE THE END POWERBOLTS WERE JUST INSTALLED. MAKE SURE TO NOT TIGHTEN ALL THE WAY DOWN AS YOU WILL NEED CLEARANCE FOR THE NEXT SOLAR PANEL MODULE TO BE INSTALLED. REPEAT THIS STEP FOR THE ENTIRE FIRST ROW OF SOLAR PANEL MODULES.



SLIDE THE SOLAR PANEL MODULE ONTO THE TOP FACE OF THE CABLE MANAGEMENT DISC. MAKE SURE THE EDGE OF THE SOLAR PANEL MODULE IS UP AGAINST THE CENTER SHANK OF THE CENTER POWERBOLT. USE THE CABLE MANAGEMENT HOOKS AS NECESSARY.



ONCE THE SOLAR PANEL MODULE IS IN PLACE, HAND TIGHTEN THE CENTER POWERBOLT . REPEAT STEPS 6-8 FOR EACH SOLAR PANEL MODULE. REPEAT STEPS 6-8 FOR EVERY SOLAR PANEL MODULE INSTALLED IN A SERIES. USE END POWERBOLT FOR THE FINAL PERIMETER CONDITION. ONCE THE ENTIRE MODULE SERIES IS INSTALLED, USE A CALIBRATED TORQUE WRENCH AND 10mm HEX ADAPTER, TORQUE EVERY POWERBOLT TO A MINIMUM OF 200 IN/LBS. THIS WILL CREATE THE GROUND BONDING TECHNOLOGY TO EACH SOLAR PANEL MODULE IN A SERIES



4800 METALMASTER WAY - McHENRY, IL 60050

PHONE: 815.477-GEMS
FAX: 815.455-GEMS

WEBSITE: WWW.SNOGEM.COM
E-MAIL: INFO@SNOGEM.COM

DISCLAIMER

THE INFORMATION HEREIN IS CONFIDENTIAL AND PROPRIETARY AND IS NOT TO BE DISCLOSED OR DELIVERED TO THIRD PARTIES WITHOUT THE PRIOR WRITTEN CONSENT OF SNO GEM, INC.

SOLAR CONNECTIONS INTERNATIONAL, INC. DOES NOT WARRANT THE INSTALLATION IF ITS PRODUCTS. PRODUCT PERFORMANCE IS DEPENDENT ON THE INSTALLERS STRICT ADHERENCE TO THESE INSTALLATION INSTRUCTIONS.

SOLAR CONNECTIONS INTERNATIONAL, INC. IS NOT A LICENSED ARCHITECT OR ENGINEER, THEREFORE WE STRONGLY RECOMMEND THAT AN ARCHITECT AND/OR STRUCTURAL ENGINEER PROPERLY LICENSED IN THE CITY AND STATE WHERE THE PROJECT IS LOCATED, REVIEW THE CONTEMPLATED LAYOUT TO ENSURE THAT THE BUILDING STRUCTURE CAN WITHSTAND THE PROJECTED SNOW LOAD. SNO GEM, INC. ASSUMES NO LIABILITY THEREFORE.

DRAWN BY:	RJH
DATE:	11/8/16
SCALE:	N.T.S.

3